

Semiconductor manufacturing line, HVAC control ...

KS3200

NEW

Differential Pressure Manometer

KRONE CORPORATION   



Ideal for various types of differential pressure measurement and control

The NEW digital differential pressure gauge KS3200 retains the functionality and accuracy of previous model the KS2900, and KS3200 has new functions with a current output disconnection function and an isolated relay control function. The display is using a high-contrast LCD, and the front panel is based on black with an emphasis on design. And it can be easy to install to your equipment from the front with a one touch.

You can select the most suitable pressure range for your application from a total of 16 pressure ranges: 0-100Pa ... 5000Pa and ± 100 Pa ... ± 5000 Pa. In addition, the analog output can be selected from two types: 4-20mA or 1-5V(Option). Various settings can be very easily to using on the front buttons, and a variety of micro-differential pressure measurements and controls can be performed with KS3200.

Visibility[©]
High Contrast
LCD
Text color: white



* Actual size

NEW FUNCTION



Current output disconnect detection

This function detects whether the KS3200 and the analog output connection device are connected. (Current output Only) If a disconnection is detected, "i.Err" will be showed on the display.



Isolated relay (isolation)

This function allows the power supplied to the isolated relay (isolation) body to be treated as a control signal for a separate system. As a result, the equipment has a high resistance to failure and is characterized by fewer malfunctions even in noisy environments.

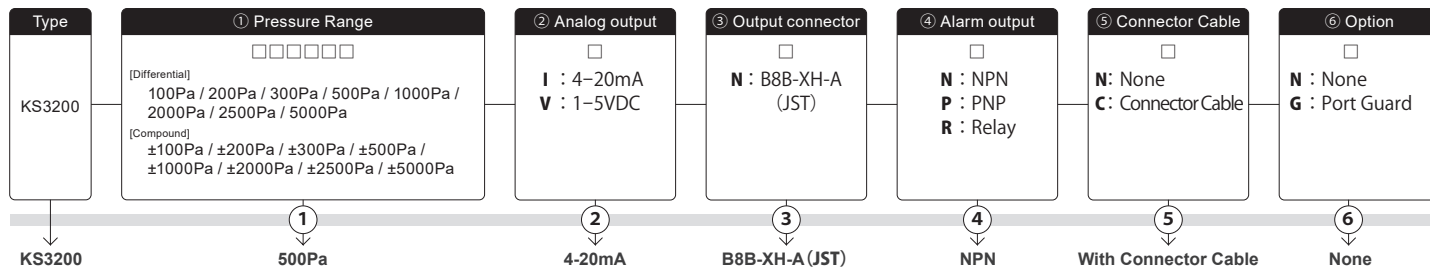
Product features

- High Contrast LCD
- Energy saving design
- Analog output 4-20mA, 1-5V (Option)
- Hysteresis and delay output control
- Hi/Go/Lo open collector output switches
- Fail safe design
- Short warm-up time
- UL/CE/RoHS

Application

- Filter clogging monitoring
- Clean room pressure monitoring
- Air conditioning system monitoring (HVAC)
- Exhaust gas pressure monitoring (Semiconductor equipment)
- Wind tunnel testing

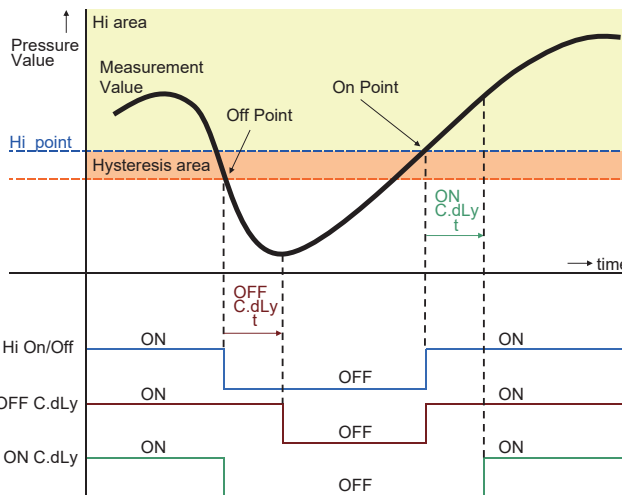
[Order code]



ex. Order code **KS3200-500Pa-I-N-N-C-N**

Overview of setting function

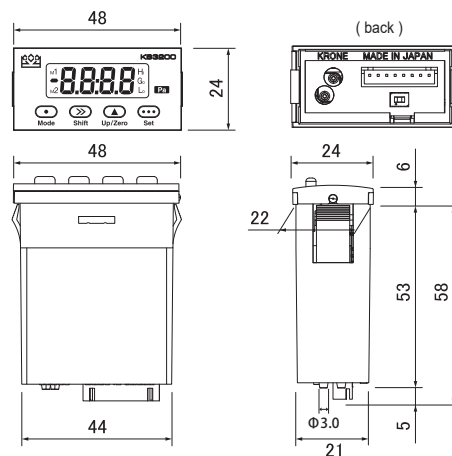
1. Analogue and NPN open corrector output
2. Hysteresis and Window Mode
3. Deley Output
4. Manual ZERO adjustment
5. Display time rate
6. Simple Moving Average
7. Low Value Cut Mode
8. ZERO Suppress
9. Other function available



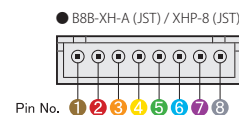
[Specification]

KS3200		* Other pressure range on request					
Pressure Range (Pa)	Differential	0-5000	0-2500	0-1000	0-500	0-300	0-100
	Accuracy	±1.0 % F.S.	±1.0 % F.S.	±1.0 % F.S.	±1.0 % F.S.	±1.5 % F.S.	±3.0 % F.S.
	Compound	0-±5000	0-±2500	0-±1000	0-±500	0-±300	0-±100
	Accuracy	±1.0 % F.S.	±1.0 % F.S.	±1.0 % F.S.	±1.0 % F.S.	±1.0 % F.S.	±2.0 % F.S.
Pressure Mode	Differential pressure mode by semiconductor element						
Media	Air and Non-corrosive dry gases only						
Display Accuracy	Above-mentioned accuracy ±1digit						
Thermal specification	Less than ±0.1%F.S./°C						
Pressure overload	80 kPa	80 kPa	50 kPa	50 kPa	50 kPa	50 kPa	
Pressure port	Outside diameter : Max Φ3.0mm x 2						
Display	4-digit(Full) / LCD display						
	Pressure	4-digit LCD (Unit : Pa)					
	Alarm	Hi / Go / Lo 3points LCD display					
	Low-cut	Max. 5% F.S					
Zero adjusting	Manual Zero *Carry out regularly.						
Analog output	4-20mA / 1-5VDC (Option)						
Alarm output	Hi / Go / Lo 3points						
	Set up	Digital set up					
	Pressure setting range	0 ~ 100% F.S					
	Output	NPN Transistor open corrector, Hi / Go / Lo 3points, PNP (Option), Relay					
Load current (Max)	100mA (Vol = 1.35V)						
Applied power (Max)	24V ±10%						
Power supply	DC24V (±10%)						
Power consumption	53mA (In that case 20mA output and back-light on)						
Electric connection	8-pin connector						
Operating temperature	0°C ... +50°C (Not be frieze)						
Operating humidity	35% ... 85% (Not be condensation)						
Storage temperature	-20°C ... +70°C						
Warming up	Over 5 minutes						
IP code	IP40 (Indoors)						
Installation	Panel mount (Cut dimension : 45.0(W) x 22.2(H))						
Weight	Approx. 48 gram						
CE Marking	CE, UL, RoHS						

SIZE



CONNECTOR



Port Guard (option)



*Recommended tube
φ4×2.5 urethane U2 (Rigid)
φ4×2 PFA

OPTION



*Stand for KS series



*Connection cable (1m)



Caution |

To use this device accurately and safety, carefully read manual. Specification may change without notes.

Please contact local sales office for products selection and pricing.