

# Configurable Differential Pressure Transducers

## FP2000 Series



APPROVED  
INTRINSICALLY  
SAFE AMP



2-week delivery

mV/V, 0-5, 0-10 VDC, OR 4-20 mA

WET WET & WET DRY DIFFERENTIAL

The FP2000 Series is a manufacturing and delivery system which allows the customer to select the configuration which best fits the needs of the application. Choose from two accuracies, four outputs, six pressure ports, five electrical terminations and twelve pressure ranges. The FP is available with wet/wet or wet/dry reference and, best of all, they deliver in 2 weeks or less.

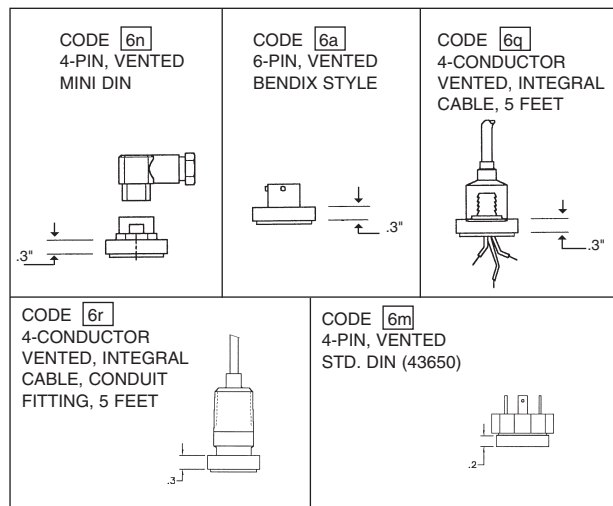
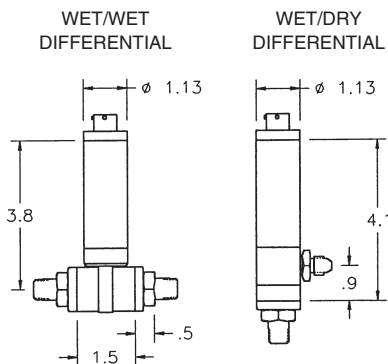
Order Code	Wet/wet differential FDW	Wet/dry differential FDD
Positive Pressure Ranges		See chart next page
Accuracy (BFSL)		0.1% or 0.25% F.S.
Output (selectable)		mV/V, 0-5 VDC, 0-10 VDC, or 4-20 mA (2 wire)
Resolution		Infinite
Temperature, Operating		-40° F to 240° F
Temperature, Compensated		40° F to 140° F
Temperature Error Band*		
0.1% Accuracy		±0.5% F.S.
0.25% Accuracy		±1% F.S.
Excitation (calibration)		
Amplified (4-20mA, 0-5 VDC)		9 - 28 VDC
Amplified (0-10 VDC)		15 - 28 VDC
Unamplified (mV/V)		10 VDC
Media**		Gas, Liquid
Overload-Safe (+direction)		4x FS or 3,000 psi, whichever is less
Overload-Safe (-direction)		4xFS or 250 psi, whichever is less
Wetted Parts Material		Ha C276 & 316L ss
Line Pressure		500 psi

\* For ranges below 15psi, temperature effects may vary.

\*\* The Wet/Wet differential pressure transducer has two separate, welded Hastelloy diaphragms. In the wet/dry unit, the wet port (high port) has all-welded stainless and Hastelloy construction. The dry port (low port) has no isolation diaphragm.

NOTE: Output for non-amplified units @ 10VDC excitation: 0.10% Accuracy = 50mV, 0.25% Accuracy = 100mV.

## Dimensions



1-888-282-9891

**Honeywell**  
Sensotec Sensors

www.honeywell.com/sensing

