

AVAILABLE
with Signature
Calibration
SEE PG. IN-4

Ultra Precision Wet/Wet Differential Pressure Transducers

Model TJE

0.1% ACCURACY

BI-DIRECTION

AMPLIFIED OUTPUT AVAILABLE



The Ultra Precision Wet/Wet Differential Pressure Model TJE is engineered for pressure ranges of 50 to 750 psid with 0.1% full scale accuracy. This bi-directional transducer is designed to accept fluid in both ports. Durability is ensured for harsh industrial conditions through standard features such as stainless steel construction and built-in overload protection.

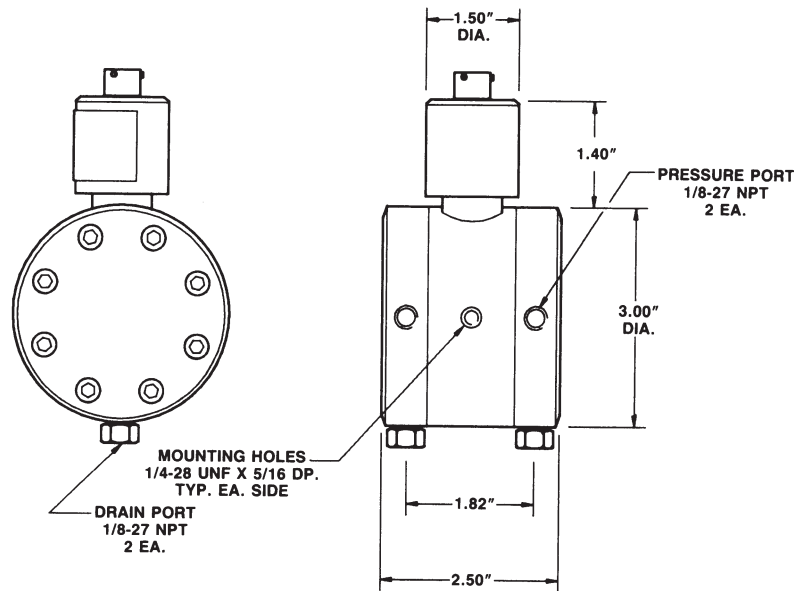
Dimensions

Model TJE (Order Code BD121)

Available Ranges*

50; 75; **100**; 150; **200**; 300; **500**; 750 psid

*Bold ranges are in stock.



Options (See Appendix)

Temperature compensated 1b, 1c, 1d, 1e, 1f; Internal amps 2b, 2n or 2N intrinsically safe amp see page AP-6; 2j; 2k; Amp enhancements 3d; Pressure ports 5c; Electrical termination 6e, 6f, 6g, 6h; Int. shunt cal 8a; Signature calibration 53e

Premium Options: 1g, 1i; 2c; 5d; 6b, 6c, 6i, 6j

Accessories: Mating connectors and connector/cable assemblies; Pressure port adapters

1-888-282-9891

Honeywell
Sensotec Sensors

www.honeywell.com/sensing

		Model TJE Order Code BD121
PERFORMANCE	Pressure Ranges.....	50 to 750 psid
	Accuracy (min)	±0.1% F.S.
	Output (standard)*.....	2mV/V
	Resolution	Infinite
ENVIRONMENTAL	Temperature, Operating.....	-65° F to 250° F
	Temperature, Compensated	60° F to 160° F
	Temperature Effect	
	- Zero (max)	0.25% F.S./100° F
- Span (max)	0.25% Rdg./100° F	
ELECTRICAL	Strain Gage Type	Bonded foil
	Excitation (calibration)	10VDC
	Excitation (acceptable)	Up to 15VDC or AC
	Insulation Resistance	10,000 megohm @ 50VDC
	Bridge resistance.....	350 ohms
	Shunt Calibration Data	Included
	Wiring Code (std)	#2 (See Pg. AP-8)
	Electrical Termination (std)	PTIH-10-6P or equiv. (Hermetic stainless)
	Mating Connector (not incl.)	PT06A-10-6S or equiv.
MECHANICAL	Media.....	Gas, Liquid
	Maximum Line Pressure	1500 psi
	Maximum Overload—	
	Safe (either side).....	1500 psi
	Pressure Port(s)	1/8-27 NPT Female
	Tapped Mounting Hole(s).....	1/4-28 UNF X 5/16 DP
	Drain Port(s)	1/8-27 NPT Female
	Wetted Parts Material.....	17-4 PH Stainless
	Weight	4.6 lbs.
	O-Ring Seals	viton
	Dead Volume.....	.25 cu. in
	Case Material	17-4 PH Stainless
INTERNALLY AMPLIFIED UNITS (Optional)	Output Available	0-5VDC, 4-20mA
	Additional Height	1.12"

***Notes** * Unless otherwise specified on order, amplified units with **4-20mA output will provide 4mA at 0 psid and 20mA at positive full scale** and will not operate in the negative direction. An available alternate set-up is 4mA at negative full scale and 20mA at positive full scale.
* 50 psid units have 1.5 mV/V output.

General Information

How to order (See Pg. AP-19)
Differential pressure selection flow chart (See Pg. DP-1)

●お問い合わせは下記へ——

株式会社 クローネ 私達は機能・品質・デザインを追求します。

- 本 社：〒124-0023 東京都葛飾区東新小岩3丁目9番6号
TEL: (03) 3695-5431 / FAX: (03) 3695-5698
- 大阪支店：〒530-0054 大阪市北区南森町2-2-9 (南森町八千代ビル7F)
TEL: (06) 6361-4831 / FAX: (06) 6361-9360