

AVAILABLE
with Signature
Calibration
SEE PG. IN-5

Mid Range Wet/Wet Differential Pressure Transducers

Models Z and A-5



APPROVED
INTRINSICALLY
SAFE AMP



50 TO 750 PSID

ACCURACY TO 0.25%

HIGH LINE

AMPLIFIED OUTPUT AVAILABLE



Models Z and A-5 Mid Range Wet/Wet Differentials are high accuracy, bonded foil strain gage transducers designed to accept fluid in both ports and measure differential pressure ranges of 50 to 750 psid. Standard features such as overload stops and stainless steel construction provide unit durability in rugged industrial environments. Each series is bi-directional and achieves accuracies of .25-.5% full scale. The models are available with extended temperature ranges. Typical applications include flow measurement, depth sensing, pressure equalization, and liquid level.

Dimensions

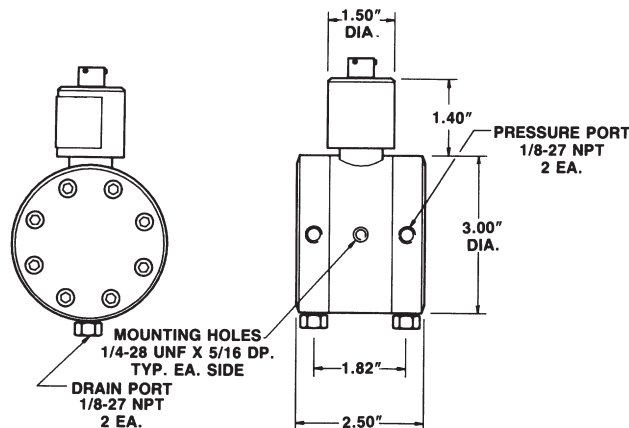
Model Z (Order Code AD122)

Model A-5 (Order Code AD123)

Available Ranges*

50; 75; 100; 150; 200; 300; 500; 750 psid

* Stocked ranges are in bold faced print. Model A-5 is stocked complete and semi-complete. Model Z is stocked semi-complete (3-6 weeks) only.



Model Z or A-5

Options (See Appendix)

Temperature compensated 1b, 1c, 1d, 1e, 1f; Internal amps 2b, 2c, 2n or 2N intrinsically safe amp, see page AP-6; 2j; Amp enhancements 3b, 3d; Electrical termination 6e, 6f, 6g, 6h; Int. shunt cal 8a; Signature calibration 53e

Premium Options: 1g, 1i; 2q; 3a; 5c; 6b, 6c, 6i; 10a; 26a

Accessories: Mating connectors and connector/cable assemblies; Pressure port adapters

1-888-282-9891

Honeywell
Sensotec Sensors

www.honeywell.com/sensing

	Model Z Order Code AD122	Model A-5 Order Code AD123	
PERFORMANCE	Pressure Ranges.....	50 to 750 psid	50 to 750 psid
	Accuracy (min)	±0.25% F.S.	±0.5% F.S.
	Non-Linearity (max).....	±0.15% F.S.	±0.25% F.S.
	Hysteresis (max)	±0.10% F.S.	±0.13% F.S.
	Non-Repeatability (max).....	±0.05% F.S.	±0.07% F.S.
	Output (standard)	2mV/V	2mV/V
	Resolution	Infinite	Infinite
ENVIRONMENTAL	Temperature, Operating	-65° F to 250° F	-65° F to 250° F
	Temperature, Compensated	60° F to 160° F	60° F to 160° F
	Temperature Effect		
	-Zero (max).....	.5% F.S./100° F	.75% F.S./100° F
	-Span (max).....	.5% Rdg./100° F	1% Rdg./100° F
ELECTRICAL	Strain Gage Type	Bonded foil	Bonded foil
	Excitation (calibration).....	10VDC	10VDC
	Excitation (acceptable).....	Up to 10VDC or AC	Up to 15VDC or AC
	Insulation Resistance	5000 megohm @ 50VDC	5000 megohm @ 50VDC
	Bridge Resistance	350 ohm	350 ohm
	Shunt Calibration Data	Included	Included
	Wiring Code (std)	#2 (See Pg. AP-8)	#2 (See Pg. AP-8)
	Electrical Termination (std)	PTIH-10-6P or equiv. (Hermetic stainless)	PTIH-10-6P or equiv.
	Mating Connector (not incl.).....	PT06A-10-6S or equiv.	PT06A-10-6S or equiv.
MECHANICAL	Media.....	Gas, Liquid	Gas, Liquid
	Maximum Line Pressure	1500 psi	1500 psi
	Maximum Overload – safe (either side)	1500 psi	1500 psi
	Pressure Port	1/8-27 NPT	1/8-27 NPT
	Tapped Mounting Hole (2ea)	1/4-28 UNF x 5/16 DP	1/4-28 UNF x 5/16 DP
	Drain Port	1/8-27 NPT	1/8-27 NPT
	Wetted Parts Material.....	17-4 PH Stainless	17-4 PH Stainless
	Weight	5.0 lbs.	5.0 lbs.
	O-Ring Seals.....	viton	viton
	Dead Volume.....	0.25 cu. in.	0.25 cu. in.
	Case Material	17-4 Stainless	17-4 Stainless
INTERNALLY AMPLIFIED UNITS (Optional)	Outputs Available	±5VDC, 4-20mA	±5VDC, 4-20mA
	Additional Length.....	2"	2"

NOTE: Unless otherwise specified on order, amplified units with 4-20mA output will provide 4mA at 0 psid and 20mA at positive full scale and the unit will not operate in the negative direction. An available alternative is to specify 4mA at negative full scale and 20mA at positive full scale. Intrinsically safe amp (Option 2n or 2N, see page AP-6) adds 2" to amplifier housing.

General Information

How to order (See Pg. AP-19)
Differential pressure selection flow chart (See Pg. DP-1)

●お問い合わせは下記へ——

株式会社 クローネ 私達は機能・品質・デザインを追求します。

■ 本 社：〒124-0023 東京都葛飾区東新小岩3丁目9番6号
TEL: (03) 3695-5431 / FAX: (03) 3695-5698

■ 大阪支店：〒530-0054 大阪市北区南森町2-2-9 (南森町八千代ビル7F)
TEL: (06) 6361-4831 / FAX: (06) 6361-9360