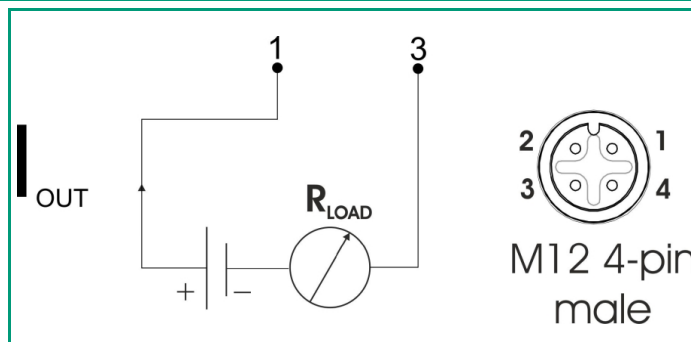
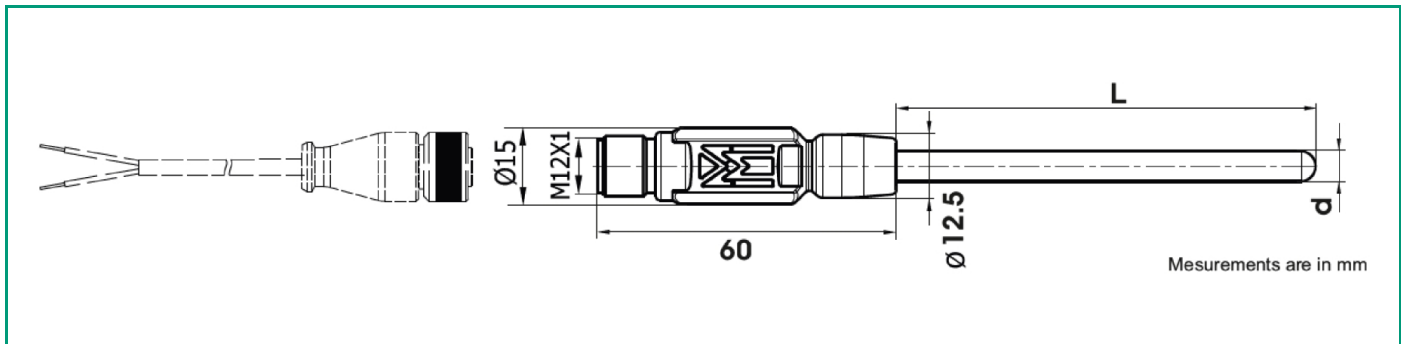


EvominiX I

4÷20mA programmable temperature transmitter with mineral insulated probe

PC-configurable temperature transmitter with mineral insulated probe (MgO). It comes in a overmolded IP67 casing with M12 output connection. This device can be a reliable alternative to common assemblies with connection head.



TECHNICAL SPECIFICATION

Electronic board operating temperature	-40 +85°C
Operating humidity	0 ÷100%
Power supply	5.5 ÷32 Vdc (polarity protected)
Input/Output insulation	None
Sensor input signal filter (*) (*) time to reach 90% of signal	Configurable from 0.4 to 9.4 seconds
Signal	4÷20 mA 20÷4 mA
Permitted load	840Ω @ 24 Vdc [Rload= (Vsupply. - 5.5) / 0.022]
Sensor break or short-circuit monitoring	According to NAMUR NE43, selectable between: Upper scale (> 21.0 mA) Lower scale (< 3,6 mA)
Accuracy (*) (*) @25°C	Maximum value between ±0.1K and ±0.1% of span
Temperature influence (*) (*) deviation from 20°C	Maximum value between ±0,3°C/25°C and ±0,3% of span/25°C
Long-term stability	Maximum 0.1% of span per year
Linear error	Negligible
EMC	In accordance to EN 61326-1:2013 (CE) In accordance to BS EN 61326-1:2013 (UKCA)
Range configurations	It is possible set the device by EVOMINI SET configuration kit (it is needed a PC with OS Windows).
Minimum span	20°C
Sensor error compensation	(±5°C) over two points
Measurement range	-50 ÷500°C
International protection marking (*) (*) According to IEC 60529	IP67
Connection body material	THERMOPLASTIC
Sheet material	AISI 316L
Stem length L	150 mm Other lengths available on request
Sheath diameter d	Ø 6 mm Ø 3 mm
M.I.C. min. bending radius	3 times the outer diameter (except the sensing tip which length is ~30 mm)
Type of connector	male 4-pin connector with M12x1 metal screw lock (in accordance with IEC 61076-2-101 STANDARDS)
Pt100 sensor accuracy	Class A up to 300°C according to IEC 751
Response time	<3.5s for diameter 3mm, <13s for diameter 6mm (according to IEC 751)
Factory default	Range (0÷150)°C (4÷20)mA output Sensor break >21mA Sensor short-circuit <3.6mA
Option	On request adjustment on 1 or 2 points Extension cable in TPE with overmolded M12 connector (IP67). Available cable lengths: (3, 8 or 12)m (others on request)
Weight	14g (L=100mm e Ø=3mm) 28g (L=100mm e Ø=6mm)

ORDER CODES

EVOXI#		X						XX
Output		Min. range	Max range	Probe break	S/C probe	Diameter d (mm)	Lenght	
4÷20mA M	0 000	+150 150	Out 21mA X	Out 3,6mA X	∅3 -2--	100 0100		
20+4mA I	* Other range on request Ex. negative value		Out 3,6mA B	Out 21mA A	∅6 -3--	150 0150		
	-20 M20					250 0250		
						350 0350		
						500 0500		
						750 0750		
						1000 1000		
						L = (mm)		



株式会社 **クローネ**

■ カタログに掲載してある製品の色は印刷インキの関係上、実際とは異なる場合があります。
 ■ 製品のデザイン、仕様等などは、予告なく変更する場合があります。

本 社：〒124-0023 東京都葛飾区東新小岩3丁目9番6号 TEL: (03) 3695-5431 / FAX: (03) 3695-5698
 大阪支店：〒530-0054 大阪市北区南森町2-2-9(南森町八千代ビル7F) TEL: (06) 6361-4831 / FAX: (06) 6361-9360
 e-mail: sales-tokyo@krone.co.jp URL: https://www.krone.co.jp

