

KDM30

High accuracy
digital pressure gauge

RoHS CE

Our new KDM30 is a high accuracy digital pressure gauge from our original KDM series which incorporates proven silicon sensor technology.

Measured values and configuration of individual parameters are displayed and manipulated through a menu on the LCD display. The display can be rotated up to 330 degrees guaranteeing optimum readability despite unusual installation positions.

The rotating mechanism provides a distinct advantage in adaptability.

<Features>

- Flexible Display Mechanism (Patented in Japan, USA and Korea)
- 4 digit LCD display with backlight
- Peak hold / Valley hold function
- Available in either Battery or Power supply model
- Wide variety of pressure measurement functions
- Connector material: SUS316L (Stainless steel 1.4435)
- CE approved and labeled

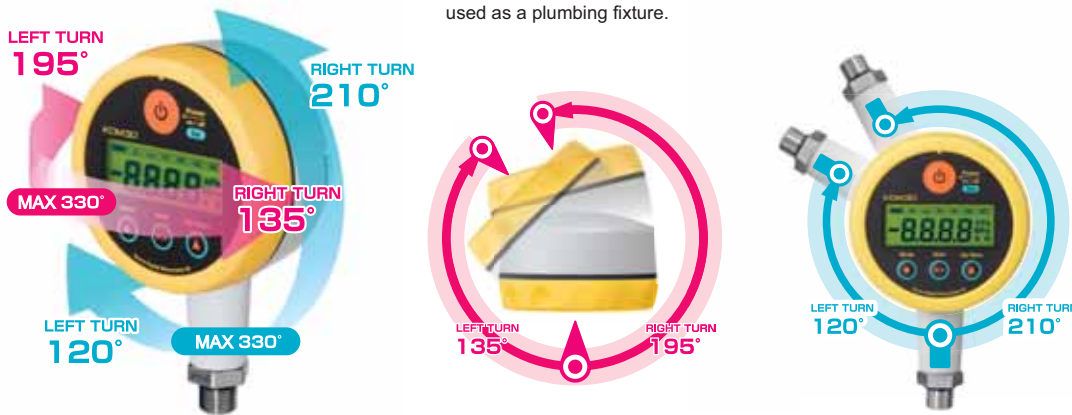
Product

MADE IN JAPAN



Flexible Display

■ KRONE CORPORATION has developed a new flexible display system which allows for difficult installation positioning. User-friendly device, especially when used as a plumbing fixture.



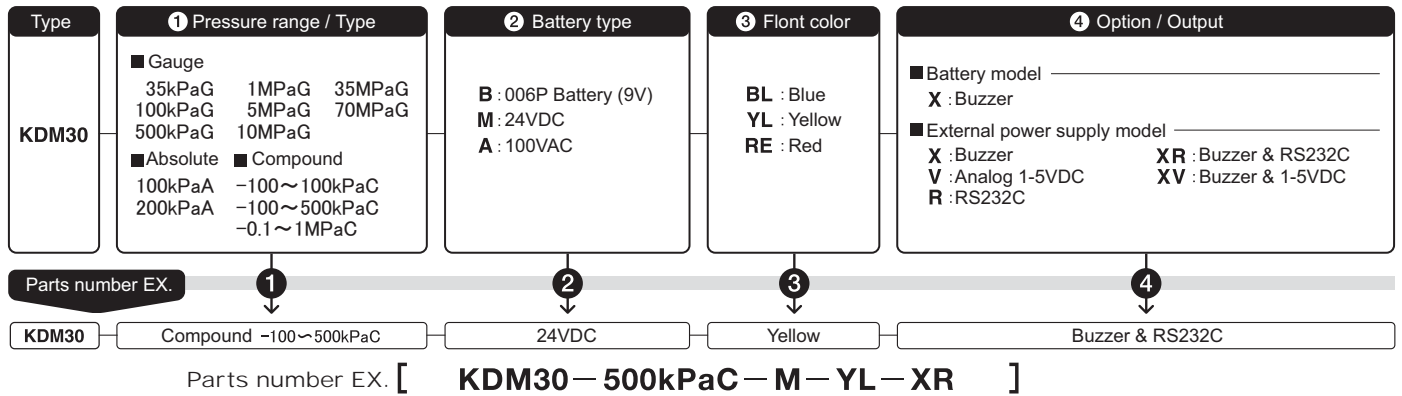
Neck rotation angle: Max 330°

Display rotation angle: Max 330°

FLEXIBLE DISPLAY



[Parts number]



■ Specification

<Over pressure>
 Pressure range under 1MPa - Safe to 3times set pressure limit.
 Pressure range above 5MPa - Safe to 2times set pressure limit.

<Accuracy> +/-0.25%F.S.(Linearity, Hysteresis, and Repeatability are included)

<Medium> Dry gases and liquid (non-corrode away to SUS316L=1.4435)

<Material>
 Pressure port: SUS316
 O-ring (Standard): NBR
 Case: ABS
 Thermal zero shift: +/-0.04%F.S./
 Thermal span shift: +/-0.04%F.S./

<Long-term stability>
 Zero: +/-0.1%F.S./year (Typical)
 Span: +/-0.1%F.S./year (Typical)

<Endurance> Over 1 million

<Operating temperature range> -20 to 70 (35kPa=0 to 50, without Freeze)

<Storage temperature range> -20 to 85 (without Freeze and condensation)

<Pressure port> G1/4 male

<Weight> Approximately 180g (including battery)

■ Electricity

Power supply
 Battery model: 006P battery (9V) 1pcs
 External model: 24VDC/50mA

<Display>
 4 digit LED display (Character height is 11mm)
 Backlight (Duration of illumination adjustable)
 Remaining battery amount display
 Hi/Lo/Peak display

<Electricity for External model>
 Analogue output : 4-20mA (Option 1-5VDC) (Pressure reading 0 to 100%)
 Max current 1mA (Load resistance is over 4.5kΩ) Alarm
 output : Hi/Lo/Good Open collector (35V/30mA)
 It's possible to select positive logic or negative-true logic.

■ Option

Please contact us for details
 Available in either a digital output (RS232C) model or Bluetooth(TM) model.

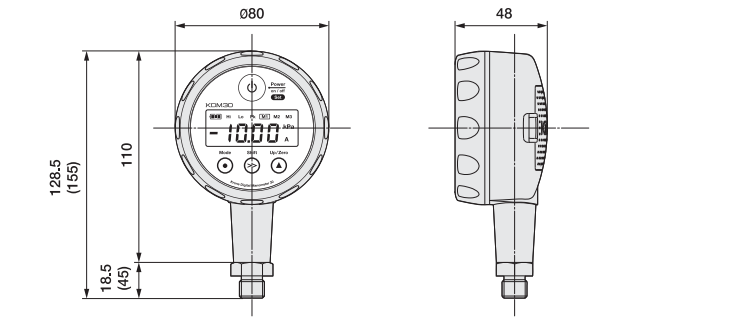
■ Color



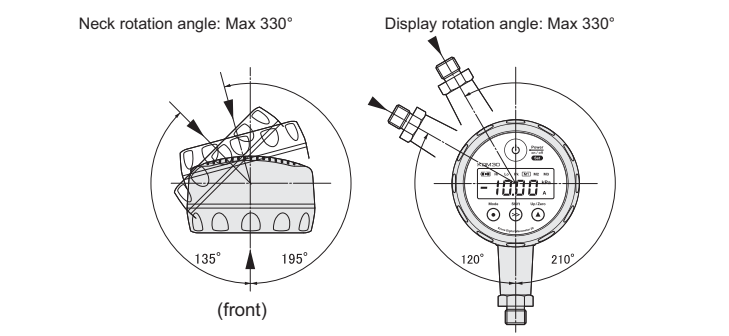
KRONE CORPORATION
<http://www.krone.co.jp>

Head office
 TEL +81-03-3695-5431 / FAX+81-03-3695-5698
 Mail : sales-tokyo@krone.co.jp

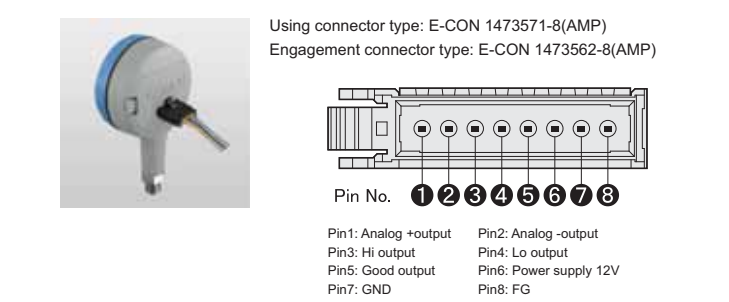
■ Dimensions



■ Flexible Display



■ Connector connection for External model



■ Accessory

1. Battery model: 006P 9V battery
2. External model: connecting cable (1m)
3. External model with adapter: Connecting cable (1m) with adapter jack, 100V AC adapter
4. Storage box set model: 3pcs of KDM30 include proof certificate, storage box and accessory as needed. (You can choose any kind of pressure range, pressure type and model)



CAUTION To use this device accurately and safety, read the manual carefully. Specification may change without notice. Please contact local sales office for product selection and pricing.