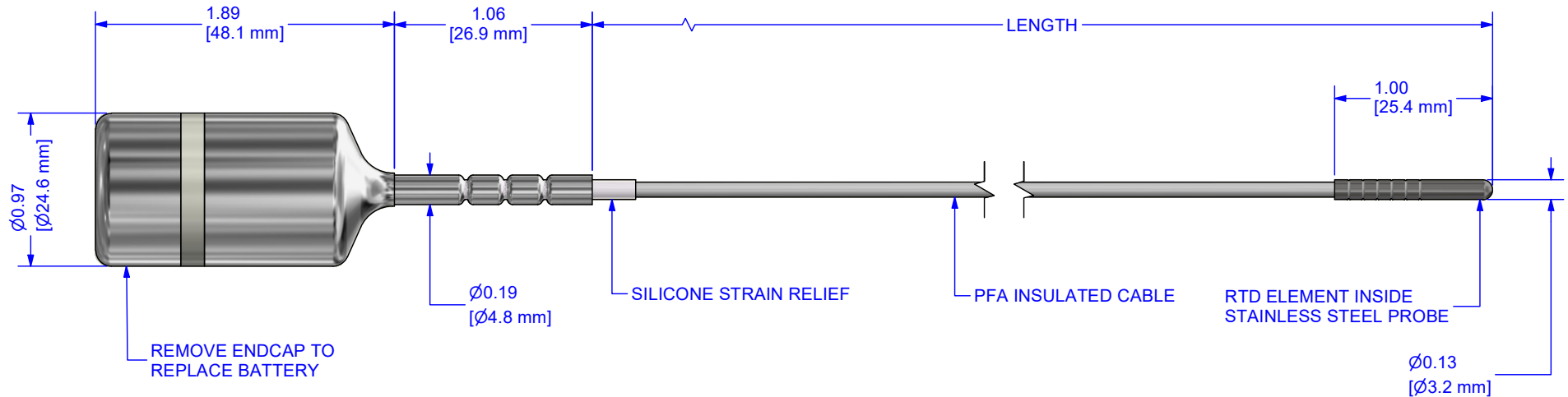


HiTemp140-FP

High Temperature Data Logger

Dimension Drawing

Product	Length
HiTemp140-FP-6	6.0 [152 mm]
HiTemp140-FP-12	12.0 [305 mm]
HiTemp140-FP-36	36.0 [914 mm]
HiTemp140-FP-72	72.0 [1829 mm]



Product:

HiTemp140-FP

Scale:

1:1

Materials:

AISI 316 SS
Radel (R) PPSU
PFA, SILICONE

Notes: