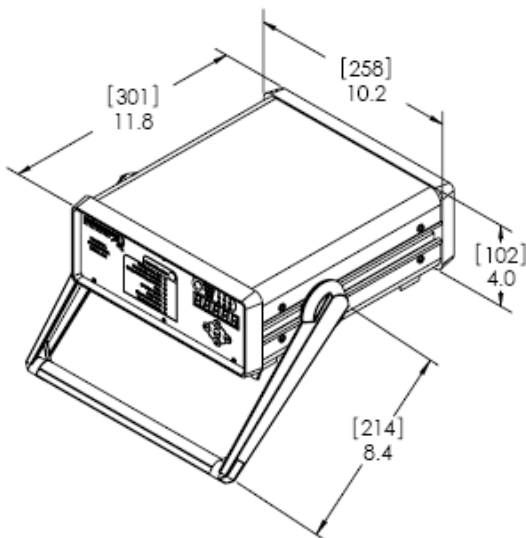




dimensions



MODEL 121 PRECISION LOW NOISE DC AMPLIFIER

SPECIFICATIONS

- ◆ 3-Channel DC Differential Amplifier
- ◆ Programmable Gain & Output Scaling
- ◆ $<20\mu\text{Vrms}$ Input Noise
- ◆ Includes Auto-Zero Function
- ◆ DC to 200kHz Bandwidth

The **Model 121** is a state-of-the-art, 3-Channel Precision DC Amplifier designed to be used with bridge type, single-ended, and differential voltage output accelerometers, pressure transducers, and load cells. The amplifier offers an exceptionally low input noise floor of $<20\mu\text{Vrms}$ and wide bandwidth to 200kHz, ideal for transient measurements.

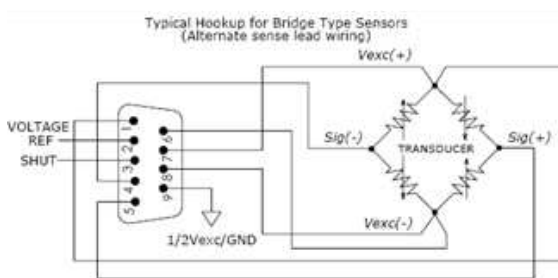
The Model 121 amplifier is also shunt calibration capable and incorporates adjustable 4-pole Butterworth filter modules.

FEATURES

- ◆ AC/DC Front Panel Voltage Display
- ◆ $\pm 12.5\text{Vdc}$ Dual Excitation Voltage
- ◆ 0-25Vdc Single-Ended Excitation Voltage
- ◆ $\pm 20\text{mV}$ Auto-Zero Function
- ◆ 4-pole Butterworth LP Filters
- ◆ Shunt Calibration Function

APPLICATIONS

- ◆ Instrumentation Labs
- ◆ Test Stands
- ◆ Process Monitoring
- ◆ Vibration & Shock Testing



MODEL 121 PRECISION LOW NOISE DC AMPLIFIER

PERFORMANCE SPECIFICATIONS

Parameters	
INPUT SPECIFICATIONS	
Input Range	Differential $\pm 12\text{Vdc}$ or peak Vac
Input Connector	9-pin D-sub connector for each of the 3 channels
Input Impedance	>1 Megohm minimum
Common Mode Input Range	$\pm 12\text{Vdc}$ or peak Vac
Autozero Adjustment Range	The greater of $\pm 100\text{mVdc}$ or $\pm 10/\text{gain}$
Autozero Accuracy	Within $\pm 20\text{mV}$, user actuate/de-actuate
OUTPUT SPECIFICATIONS	
AC/DC Voltage	Single ended, short circuit protected. User selectable for DC or AC measurement.
Output Connector	BNC connector for each channel for each of the 3 channels
Output Impedance	0.2 ohms max
Linear Output	$\pm 10\text{Vpeak}$
Current Output	20mA max
Excitation Voltage	$\pm 12.5\text{ Vdc}$ dual or 0 to 25 Vdc single-ended, user selectable for each channel
Excitation Voltage Accuracy	The greater of $\pm 1\%$ or 50 mVdc
Excitation Current	30mA maximum per channel, short circuit protected
Shunt Calibration	User configurable to shunt any of the four legs of bridge. 150 kohm default value for shunt.
TRANSFER CHARACTERISTICS	
Gain Range	0 to 9999
Accuracy	$\pm 0.5\%$ of full scale
Linearity	$\pm 0.1\%$ of full scale
Noise	20uVrms RTI plus 1mVrms RTO
Frequency Response	DC to 200 kHz
Low Pass Output Filter	User-installed plug in module (optional), enable/disable switch, two pole
Isolation	Channel to channel signal grounds not isolated, signal ground to case ground isolated
POWER REQUIREMENTS	
Voltage	110/220V~ 50/60 Hz, auto-detects
PHYSICAL CHARACTERISTICS	
Weight (w/o power cord)	8.2 lbs (3.7 kg)
Case Material	Aluminum
Dimensions (H x W x L)	4.0 x 10.2 x 11.8 inches (102 x 258 x 301 mm)
ENVIRONMENTAL	
Temperature Range, Operating	+32°F to +122°F (0°C to +50°C)
Temperature Range, Storage	-40°F to +185°F (-40°C to +85°C)
Humidity	$<90\%$

ORDERING INFO

DESCRIPTION	PART NUMBER +POWER CORD OPTION	
DC Amplifier	121-U	NEMA 5-15 USA 3 pin Plug (120V, 60Hz)
DC Amplifier	121-E	CEE 7/16 Europlug (220V, 50Hz)
DC Amplifier	121-A	AS-3112 China, Australasia (220V, 50HZ)

Optional Accessories

Filter Module, 20Hz, 4-Pole Low Pass	AC-A04542-020
Filter Module, 100Hz, 4-Pole Low Pass	AC-A04542-100
Filter Module, 1kHz, 4-Pole Low Pass	AC-A04542-1K0
Filter Module, 10kHz, 4-Pole Low Pass	AC-A04542-10K
Filter Module, 20kHz, 4-Pole Low Pass	AC-A04542-20K
DB9 Connector	AC-G03253



株式会社 クローネ

■カタログに掲載してある製品の色は印刷インキの関係上、実際とは異なる場合があります。
■製品のデザイン、仕様等などは、予告なく変更する場合があります。

本 社：〒124-0023 東京都葛飾区東新小岩3丁目9番6号 TEL: (03) 3695-5431 / FAX: (03) 3695-5698
大阪支店：〒530-0054 大阪市北区南森町2-2-9(南森町八千代ビル7F) TEL: (06) 6361-4831 / FAX: (06) 6361-9360
e-mail: sales-tokyo@krone.co.jp URL: <https://www.krone.co.jp>

TE.com/sensor solutions

Measurement Specialties, Inc., a TE Connectivity company.

Measurement Specialties, TE Connectivity, TE Connectivity (logo) and EVERY CONNECTION COUNTS are trademarks. All other logos, products and/or company names referred to herein might be trademarks of their respective owners.

The information given herein, including drawings, illustrations and schematics which are intended for illustration purposes only, is believed to be reliable. However, TE Connectivity makes no warranties as to its accuracy or completeness and disclaims any liability in connection with its use. TE Connectivity's obligations shall only be as set forth in TE Connectivity's Standard Terms and Conditions of Sale for this product and in no case will TE Connectivity be liable for any incidental, indirect or consequential damages arising out of the sale, resale, use or misuse of the product. Users of TE Connectivity products should make their own evaluation to determine the suitability of each such product for the specific application.

© 2015 TE Connectivity Ltd. family of companies All Rights Reserved.