



154BC

SPECIFICATIONS

- **Low Cost**
- **316L Stainless Steel or Titanium**
- **19mm Diameter Package**
- **0 - 100mV Output**
- **Gage and Absolute**
- **Wide Compensated Temperature Range**

The 154BC is a 19mm small profile, media compatible, piezoresistive silicon pressure sensor packaged in a 316L stainless steel or ASTM Grade 2 CP titanium housing. The 154BC is a low-cost unit designed without a header for O-ring mounting and OEM applications where compatibility with corrosive media is required. The titanium option offers greater resistance to corrosive materials and harsh cleaning chemicals, opening the range of its application use to things such as dialysis machines and salt/brackish water measurements.

The sensing package utilizes silicone oil to transfer pressure from either a 316L stainless steel or titanium diaphragm to the sensing element. A ceramic substrate is attached to the package that contains laser-trimmed resistors for temperature compensation and offset correction. An additional laser-trimmed resistor is included which can be used to adjust an external differential amplifier and provide span interchangeability to within $\pm 1\%$.

Please refer to the 154N uncompensated and constant voltage datasheets for more information on different features of the 154.

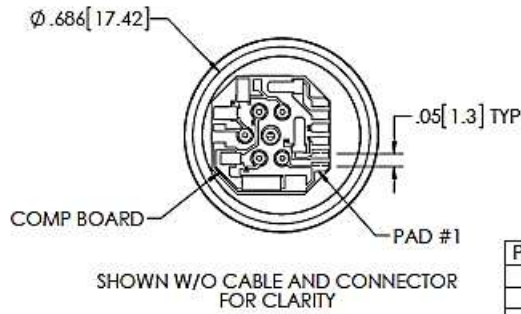
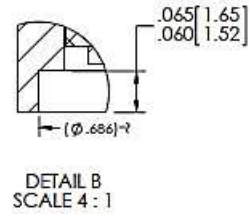
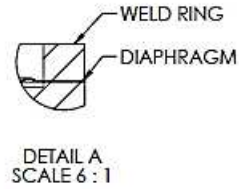
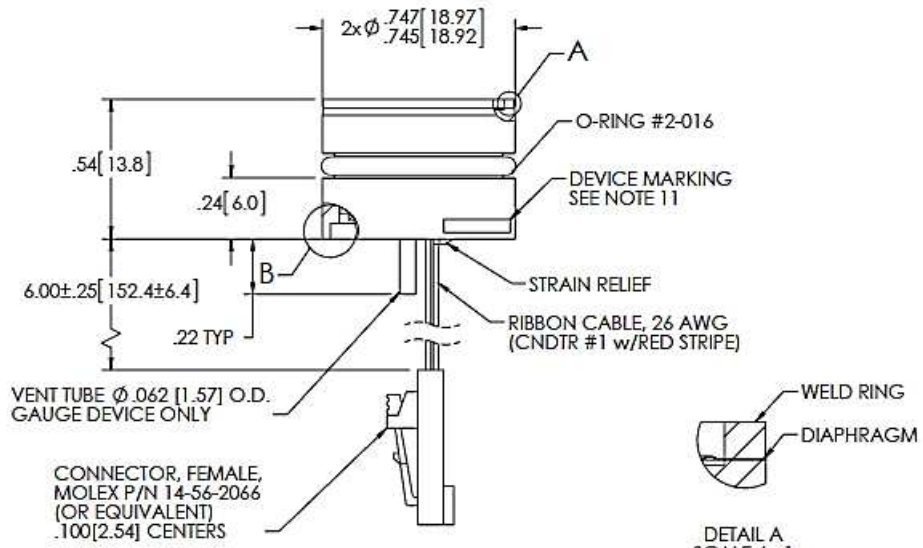
FEATURES

- O-Ring Mount
- -20°C to +85°C Compensated Temperature
- 1.0% Interchangeable Span (provided by gain set resistor)
- Solid State Reliability
- $\pm 0.3\%$ Pressure Non Linearity
- Titanium Option

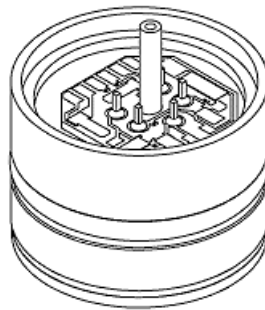
APPLICATIONS

- Medical Instruments (Dialysis Machines)
- Process Control
- Fresh, Waste, Salt and Brackish Water Measurements
- Refrigeration/Compressors
- Pressure Transmitters
- Hydraulic Controls

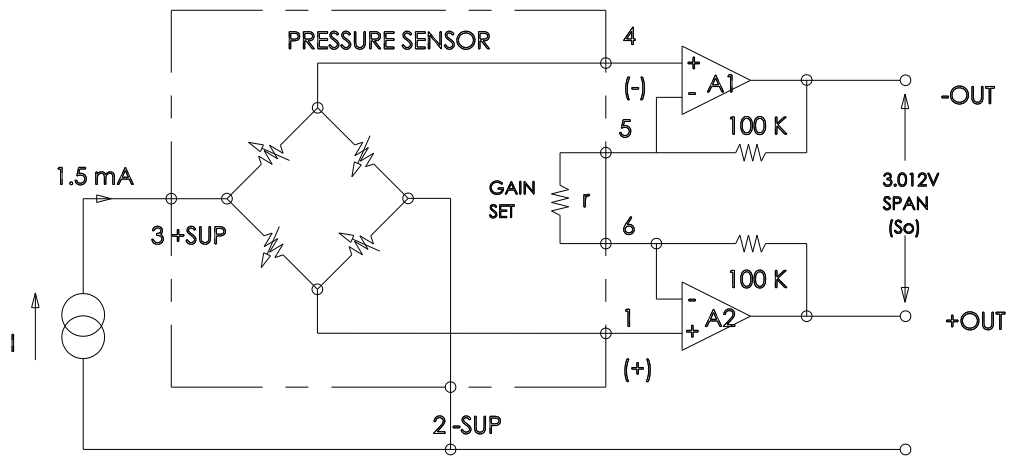
STANDARD RANGES



PAD #	FUNCTION
1	+OUT
2	-EX
3	+EX
4	-OUT
5	GAIN
6	



APPLICATION SCHEMATIC



ORDERING INFORMATION

154BC – S – 300PG R

Material	
S	316L Stainless Steel
T	ASTM Grade 2 CP Ti

Electrical	
P	Solder Pads
R	Ribbon cable
C	Cable w/ Connector

Pressure Range [psi]	
015PG	007BA
030PG	012BA
050PG	018BA
100PG	028BA
300PG	



株式会社 クローネ

- カタログに掲載してある製品の色は印刷インキの関係上、実際とは異なる場合があります。
- 製品のデザイン、仕様等などは、予告なく変更する場合があります。

本 社：〒124-0023 東京都葛飾区東新小岩3丁目9番6号 TEL: (03) 3695-5431 / FAX: (03) 3695-5698

大阪支店：〒530-0054 大阪市北区南森町2-2-9(南森町八千代ビル7F) TEL: (06) 6361-4831 / FAX: (06) 6361-9360

e-mail: sales-tokyo@krone.co.jp URL: <https://www.krone.co.jp>

[TE.com/sensorsolutions](https://www.te.com/sensorsolutions)

Measurement Specialties, Inc., a TE Connectivity company.

Measurement Specialties, TE Connectivity, TE Connectivity (logo) and EVERY CONNECTION COUNTS are trademarks. All other logos, products and/or company names referred to herein might be trademarks of their respective owners.

The information given herein, including drawings, illustrations and schematics which are intended for illustration purposes only, is believed to be reliable. However, TE Connectivity makes no warranties as to its accuracy or completeness and disclaims any liability in connection with its use. TE Connectivity's obligations shall only be as set forth in TE Connectivity's Standard Terms and Conditions of Sale for this product and in no case will TE Connectivity be liable for any incidental, indirect or consequential damages arising out of the sale, resale, use or misuse of the product. Users of TE Connectivity products should make their own evaluation to determine the suitability of each such product for the specific application.

© 2015 TE Connectivity Ltd. family of companies All Rights Reserved.