



## 317 CABLE ASSEMBLY

IEPE plug and play accelerometer cable assembly for triaxial accelerometers. Featuring 4-pin Microtech connector to pigtail leads. Standard cable length is 120 inches. Mates with accelerometer models 7131A, 7132A & 7134A.

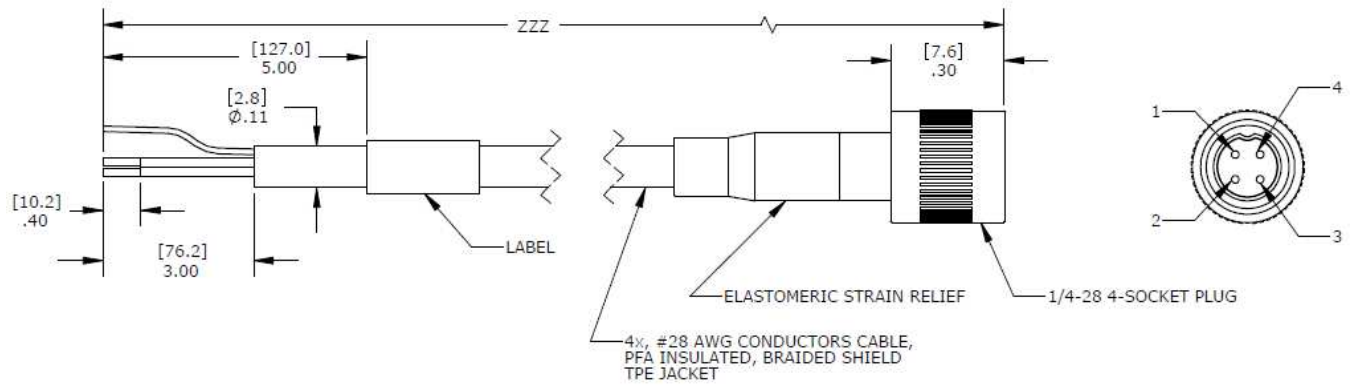
### FEATURES

- TPE Jacket
- PFA Insulated #28 AWG Conductors
- SPC Braided Shield
- 4-Pin Microtech Connector
- -54°C to +125°C Temp Range

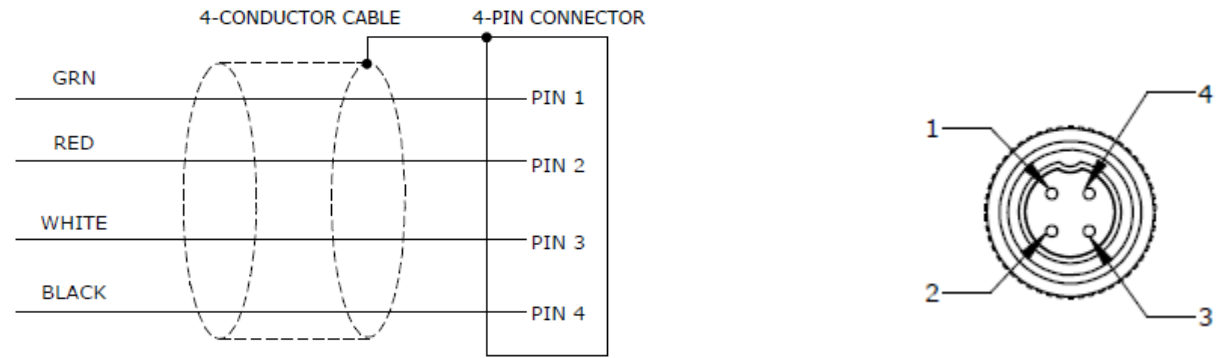
### APPLICATIONS

- IEPE Triaxial Accelerometers
- Laboratory Testing
- Vibration Monitoring
- General Purpose
- Modal Testing

DIMENSIONS



SCHEMATIC



### ORDERING INFORMATION

317 - ZZZ

#### Cable length

060=60 inches  
120=120 inches  
240=240 inches  
360=360 inches  
480=480 inches  
600=600 inches

197=197 inches, 5 meters  
394=394 inches, 10 meters

Example; 317-120  
Model 317 cable, 120inch cable length (standard length typically in stock)



株式会社 **クローネ**

■ カタログに掲載してある製品の色は印刷インキの関係上、実際とは異なる場合があります。  
■ 製品のデザイン、仕様等などは、予告なく変更する場合があります。

本 社：〒124-0023 東京都葛飾区東新小岩3丁目9番6号 TEL: (03) 3695-5431 / FAX: (03) 3695-5698  
大阪支店：〒530-0054 大阪市北区南森町2-2-9(南森町八千代ビル7F) TEL: (06) 6361-4831 / FAX: (06) 6361-9360  
e-mail: [sales-tokyo@krone.co.jp](mailto:sales-tokyo@krone.co.jp) URL: <https://www.krone.co.jp>

#### TE.com/sensor solutions

Measurement Specialties, Inc., a TE Connectivity company.

Measurement Specialties, TE Connectivity, TE Connectivity (logo) and EVERY CONNECTION COUNTS are trademarks. All other logos, products and/or company names referred to herein might be trademarks of their respective owners.

The information given herein, including drawings, illustrations and schematics which are intended for illustration purposes only, is believed to be reliable. However, TE Connectivity makes no warranties as to its accuracy or completeness and disclaims any liability in connection with its use. TE Connectivity's obligations shall only be as set forth in TE Connectivity's Standard Terms and Conditions of Sale for this product and in no case will TE Connectivity be liable for any incidental, indirect or consequential damages arising out of the sale, resale, use or misuse of the product. Users of TE Connectivity products should make their own evaluation to determine the suitability of each such product for the specific application.

© 2015 TE Connectivity Ltd. family of companies All Rights Reserved.