

MODEL 832HT ACCELEROMETER



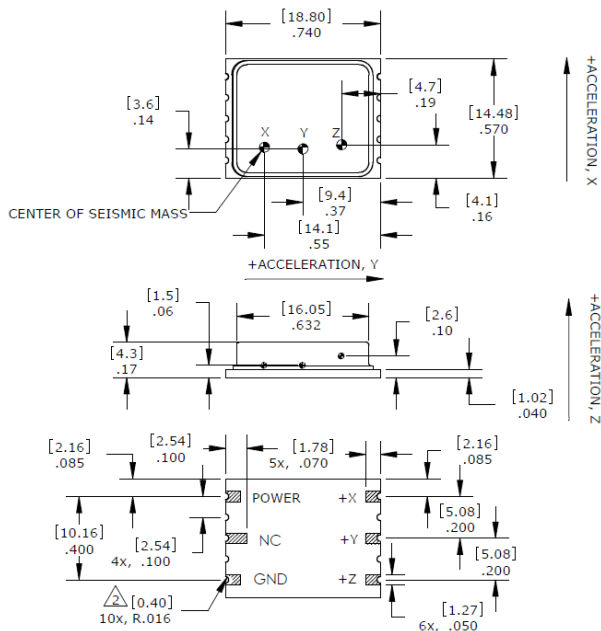
SPECIFICATIONS

- Triaxial Piezoelectric Accelerometer
- -40°C to +150°C Temp Range
- Full Signal and Power Conditioning
- Circuit Board Mountable

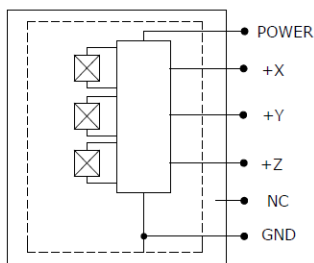
The Model 832HT is a high temperature, board mountable triaxial accelerometer. Featuring stable piezo-ceramic crystals, the accelerometer incorporates full power and signal conditioning with a maximum current consumption of 4 micro-amps.

The model 832HT is available in $\pm 25g$ to $\pm 500g$ ranges and provides a flat frequency response up to 6kHz.

DIMENSIONS



ACCELEROMETER



FEATURES

- $\pm 25g$ to $\pm 500g$ Dynamic Range
- Triaxial Output
- Hermetically Sealed
- Piezo-ceramic Crystals
- -40° to +150°C Operating Range
- Stable Temperature Response
- Wide Bandwidth to 6000Hz

APPLICATIONS

- Asset Monitoring
- Data Loggers
- Impact Monitoring
- Machine Health Monitoring
- High Temperature Installations

MODEL 832HT ACCELEROMETER

PERFORMANCE SPECIFICATIONS

All values are typical at +24°C, 80Hz and 3.3Vdc excitation unless otherwise stated. Measurement Specialties reserves the right to update and change these specifications without notice.

Parameters

DYNAMIC

	±25	±50	±100	±200	±500	Notes
Range (g)	±25	±50	±100	±200	±500	
Sensitivity (mV/g)	50.0	25.0	12.5	6.25	2.5	±30%
Frequency Response (Hz)	2-6000	2-6000	2-6000	2-6000	2-6000	±2dB
Natural Frequency (Hz)	>30000	>30000	>30000	>30000	>30000	
Non-Linearity (%FSO)	±2	±2	±2	±2	±2	
Transverse Sensitivity (%)	<8	<8	<8	<8	<8	
Shock Limit (g)	5000	5000	5000	5000	5000	
Broadband Noise (µV)	300	250	200	200	200	1Hz-10kHz
Spectral Noise (µg/√Hz)	120	120	120	120	400	@ 10Hz
Spectral Noise (µg/√Hz)	80	80	80	80	320	@ 100Hz
Spectral Noise (µg/√Hz)	40	40	40	40	160	@ 1000Hz

ELECTRICAL

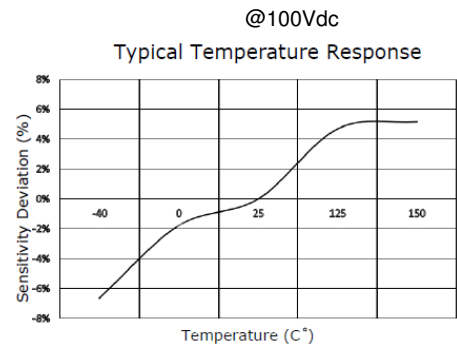
Bias Voltage (Vdc)	Exc Voltage / 2
Total Supply Current (µA)	<40
Excitation Voltage (Vdc) ²	3.3 to 5.5
Output Impedance (Ω)	<100
Insulation Resistance (MΩ)	>50
Warm-Up Time (msec)	30
Shielding	100%
Ground Isolation	Isolated from Mounting Surface

ENVIRONMENTAL

Temperature Response (%)	See Typical Temperature Response Curve
Operating Temperature (°C)	-40 to +150
Storage Temperature (°C)	-40 to +150
Humidity	Hermetic Solder Seal

PHYSICAL

Sensing Element	Ceramic (shear mode)
Case Material	Ceramic Base, Nickel Silver Cover
Weight (grams)	3.6



¹ The model 832HT is not to be reflow soldered at high temperature, manual soldering is recommended. See application note.

² The model 832HT can be operated with 2.8V excitation but the full-scale range will be limited.

Calibration supplied: CS-SENS-0100 NIST Traceable Amplitude Calibration at 80Hz

The information in this sheet has been carefully reviewed and is believed to be accurate; however, no responsibility is assumed for inaccuracies. Furthermore, this information does not convey to the purchaser of such devices any license under the patent rights to the manufacturer. Measurement Specialties, Inc. reserves the right to make changes without further notice to any product herein. Measurement Specialties, Inc. makes no warranty, representation or guarantee regarding the suitability of its product for any particular purpose, nor does Measurement Specialties, Inc. assume any liability arising out of the application or use of any product or circuit and specifically disclaims any and all liability, including without limitation consequential or incidental damages. Typical parameters can and do vary in different applications. All operating parameters must be validated for each customer application by customer's technical experts. Measurement Specialties, Inc. does not convey any license under its patent rights nor the rights of others.

ORDERING INFORMATION

PART NUMBERING Model Number+Range

832HT-GGGG
|
| _____ Range (0200 is 200g)

Example: 832HT-0200
Model 832HT, 200g



株式会社 **クローネ**

■カタログに掲載してある製品の色は印刷インキの関係上、実際とは異なる場合があります。
■製品のデザイン、仕様等などは、予告なく変更する場合があります。

本 社：〒124-0023 東京都葛飾区東新小岩3丁目9番6号 TEL: (03) 3695-5431 / FAX: (03) 3695-5698
大阪支店：〒530-0054 大阪市北区南森町2-2-9(南森町八千代ビル7F) TEL: (06) 6361-4831 / FAX: (06) 6361-9360
e-mail: sales-tokyo@krone.co.jp URL: <https://www.krone.co.jp>

te.com/sensorsolutions

TE Connectivity, TE, and the TE connectivity (logo) are trademarks of the TE Connectivity Ltd. family of companies. Other logos, products and/or company names referred to herein may be trademarks of their respective owners.

The information given herein, including drawings, illustrations and schematics which are intended for illustration purposes only, is believed to be reliable. However, TE Connectivity makes no warranties as to its accuracy or completeness and disclaims any liability in connection with its use. TE Connectivity's obligations shall only be as set forth in TE Connectivity's Standard Terms and Conditions of Sale for this product and in no case will TE Connectivity be liable for any incidental, indirect or consequential damages arising out of the sale, resale, use or misuse of the product. Users of TE Connectivity products should make their own evaluation to determine the suitability of each such product for the specific application.

© 2018 TE Connectivity Ltd. family of companies All Rights Reserved.