



86

Uncompensated

SPECIFICATIONS

- ◆ **316L SS Pressure Sensor**
- ◆ **Small Profile**
- ◆ **0 - 100mV Output**
- ◆ **Absolute and Gage**

The 86 uncompensated is a small profile, media compatible, piezoresistive silicon pressure sensor packaged in a 316L stainless steel housing. The 86 uncompensated is designed for O-ring mounting and OEM applications where compatibility with corrosive media is required.

The sensing package utilizes silicon oil to transfer pressure from the 316L stainless steel diaphragm to the sensing element.

Please refer to the 86 compensated and constant voltage datasheets for more information on different features of the 86.

FEATURES

- ◆ O-Ring Mount
- ◆ -40°C to +125°C Operating Temperature
- ◆ ±0.2% Pressure Non Linearity
- ◆ Solid State Reliability

APPLICATIONS

- ◆ Medical Instruments
- ◆ Process Control
- ◆ Fresh & Waste Water Measurements
- ◆ Partial Vacuum Gas Measurement
- ◆ Pressure Transmitters
- ◆ Tank Level Systems (RV & Industrial)

STANDARD RANGES

Range	psig	psia
0 to 5	◆	◆
0 to 15	◆	◆
0 to 30	◆	◆
0 to 50	◆	◆
0 to 100	◆	◆
0 to 300	◆	◆
0 to 500	◆	◆

PERFORMANCE SPECIFICATIONS

Supply Current: 1.5 mA

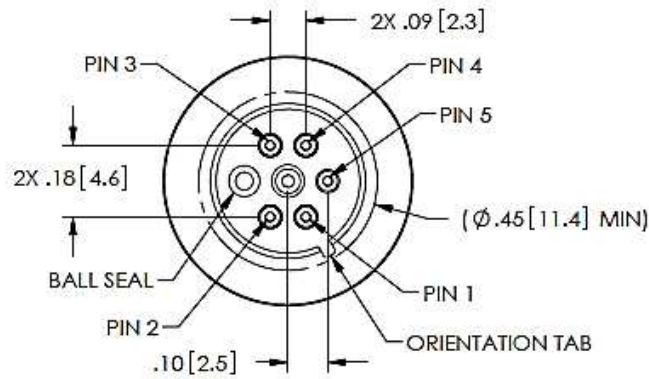
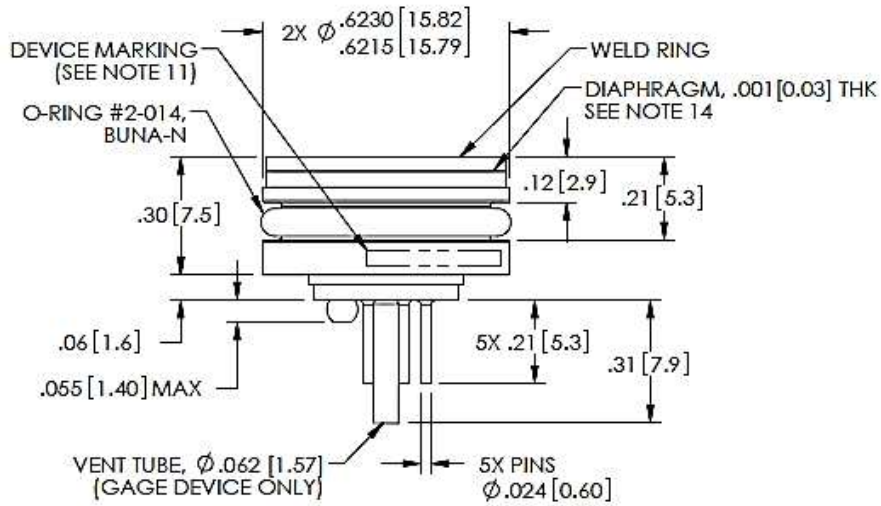
Ambient Temperature: 25°C (unless otherwise specified)

PARAMETERS	005PSIA			005PSIG & ≥015PSI			UNITS	NOTES
	MIN	TYP	MAX	MIN	TYP	MAX		
Sensitivity	12	15	18	12		27	mV/V@Span	
Zero Pressure Output	-10		10	-6.0		8.0	mV/V	1
Pressure Non Linearity	-0.2		0.2	-0.1		0.1	%Span	2
Pressure Hysteresis	-0.10		0.10	-0.05		0.05	%Span	
Repeatability		±0.02			±0.02		%Span	
Bridge Resistance	4.0K	5.0K	6.0K	3.8K		5.8K	Ω	3
Thermal Hysteresis – Span	-0.25	±0.05	0.25	-0.25	±0.05	0.25	%Span	4
Thermal Hysteresis – Offset	-0.25	±0.05	0.25	-0.25	±0.05	0.25	%Span	4
Temp. Coefficient – Resistance		2.4K		1.30K	1.51K	1.75K	PPM/°C	4
Temp. Coefficient – Span		-2.0K		-1.65K	-1.25K	-1.0K	PPM/°C	4
Temp. Coefficient – Offset	-80		80	-30		30	μV/V/°C	4
Long Term Stability – Span		±0.10			±0.10		%Span/Year	
Long Term Stability – Offset		±0.25			±0.10		%Span/Year	
Supply Current	0.5	1.5	2.0	0.5	1.5	2.0	mA	
Supply Voltage		5	9.5		5	9.5	V	
Output Noise (10Hz to 1KHz)		1.0			1.0		μV p-p	
Response Time (10% to 90%)		0.1			0.1		ms	
Insulation Resistance (50V _{DC})	50M			50M			Ω	5
Pressure Overload			3X			3X	Rated	
Pressure Burst			4X			4X	Rated	6
Operating Temperature	-40		+125	-40		+125	°C	
Storage Temperature	-50		+125	-50		+125	°C	
Media – Pressure Port	Liquids and Gases compatible with 316/316L Stainless Steel							

Notes

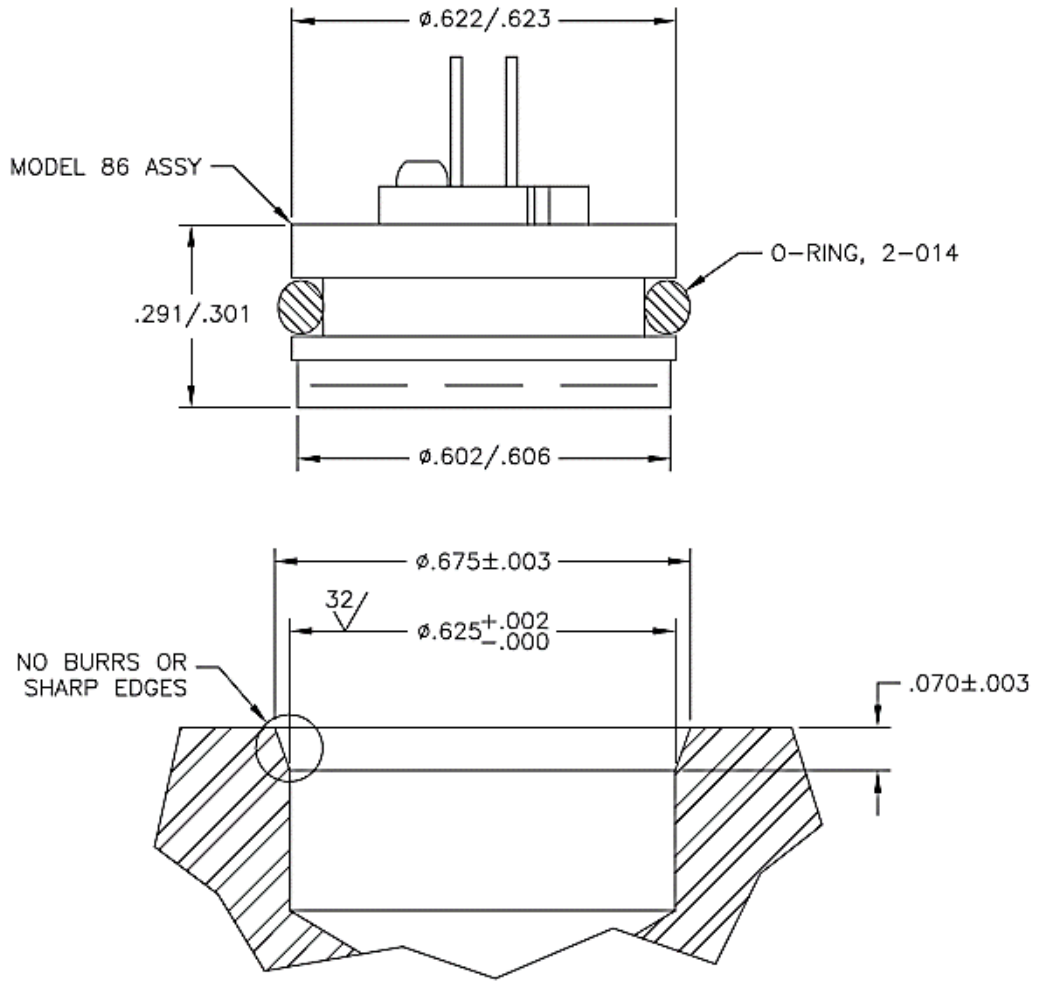
- Measured at vacuum for absolute (A) and at ambient for gage (G).
- Best fit straight line.
- Values for 5 psig devices are as follows:
 - Non linearity: ±0.2% max
 - Pressure hysteresis: -1.10 min, 0.10 max
 - Long term stability (offset): ±0.25 typ
- Bridge resistance is measured with both –E pins shorted together.
- TC values are first order coefficients to a quadratic fit over a temperature range of -20°C to +85°C (0°C to 50°C for 5psi).
- Between case and sensing element.
- The maximum pressure that can be applied without changing the transducer's performance or element or transducer
- The maximum pressure that can be applied to a transducer without rupture of either the sensing element or transducer.
- Standard gage units are not recommended for vacuum applications.
- Testing:
 - Units are not tested over temperature or pressure
 - A final electrical test (@ 1.5mA) is performed to verify parts are electrically alive.
 - All units are subjected to 100% drift test.
- Marking:
 - Part marked with model number, pressure range, type ('A' for absolute, 'G' for gage), lot number, serial number and date code.
- Shipping:
 - The stainless steel diaphragm is protected by a static dissipative cap (no fitting options only). Each unit will be packaged individually in a plastic vial with antistatic foam.
- Product description:
 - Model 86-XXXX-U(T) is a uncompensated micro machined piezoresistive silicon pressure sensor
- Direct mechanical contact with diaphragm is prohibited. Diaphragm surface must remain free of defects (scratches, punctures, dents, fingerprints, etc) for device to operate properly. Caution is advised when handling parts with exposed diaphragms. Use protective cap whenever devices are not in use.

DIMENSIONS

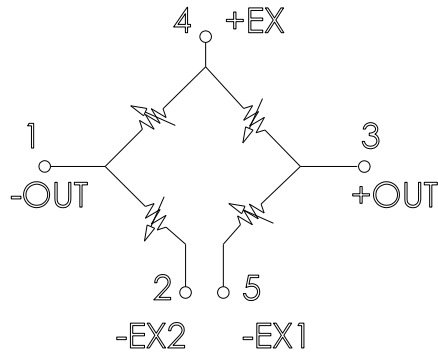


Sensor Pinout

Pin No.	Function
1	-OUT
2	-EX2
3	+OUT
4	+EX
5	-EX1



CONNECTIONS



ORDERING INFORMATION

86	—	030	G	—	U	T
Model Name						
Pressure range [psi]						
005	050	500				
015	100					
030	300					
Pressure Type						
A = Absolute			G = Gage			
Electrical Connections						
U = Open bridge, Uncomp						
Vent Type*						
T = Tube						

*If No Tube, Leave Blank



株式会社 クローネ

■カタログに掲載してある製品の色は印刷インキの関係上、実際とは異なる場合があります。
 ■製品のデザイン、仕様等などは、予告なく変更する場合があります。

本 社：〒124-0023 東京都葛飾区東新小岩3丁目9番6号 TEL: (03) 3695-5431 / FAX: (03) 3695-5698
 大阪支店：〒530-0054 大阪市北区南森町2-2-9(南森町八千代ビル7F) TEL: (06) 6361-4831 / FAX: (06) 6361-9360
 e-mail: sales-tokyo@krone.co.jp URL: <https://www.krone.co.jp>

[TE.com/sensorsolutions](https://www.te-connectivity.com/sensorsolutions)

Measurement Specialties, Inc., a TE Connectivity company.

Measurement Specialties, TE Connectivity, TE Connectivity (logo) and EVERY CONNECTION COUNTS are trademarks. All other logos, products and/or company names referred to herein might be trademarks of their respective owners.

The information given herein, including drawings, illustrations and schematics which are intended for illustration purposes only, is believed to be reliable. However, TE Connectivity makes no warranties as to its accuracy or completeness and disclaims any liability in connection with its use. TE Connectivity's obligations shall only be as set forth in TE Connectivity's Standard Terms and Conditions of Sale for this product and in no case will TE Connectivity be liable for any incidental, indirect or consequential damages arising out of the sale, resale, use or misuse of the product. Users of TE Connectivity products should make their own evaluation to determine the suitability of each such product for the specific application.

© 2015 TE Connectivity Ltd. family of companies All Rights Reserved.