



DP86

Constant Current With Cable

SPECIFICATIONS

- ◆ **316L SS**
- ◆ **Wet/Wet Differential**
- ◆ **Low Pressure**
- ◆ **0 – 100mV Output**

The DP86 constant current with cable differential pressure sensor is a double-sided, media compatible, piezoresistive silicon pressure sensor packaged in a 316L stainless steel housing. The DP86 constant current with cable is designed for o-ring mounting. The sensing package utilizes silicone oil to transfer pressure from the two 316L stainless steel diaphragms to a single sensing element.

The DP86 constant current with cable is designed for high performance, low pressure applications where differential pressure measurement is required. The stainless steel package makes it suitable for use in liquids and corrosive environments.

Please refer to the DP86, uncompensated, non-silicone oil, constant current and constant voltage (fittings and cable design) for more information on different features of the DP86

FEATURES

- O-Ring Mount
- Up to -40°C to +125°C Operating Range
- Up to ±0.1% Pressure Non Linearity
- Solid State Reliability
- Low Pressure

APPLICATIONS

- Level Controls
- Tank Level Measurement
- OEM Equipment
- Corrosive Fluids and Gas Measurement Systems
- Flow Measurements

STANDARD RANGES

Range	psid	Range	bard
0 to 1	*	0 to .07	*
0 to 5	*	0 to .35	*
0 to 15	*	0 to 001	*
0 to 30	*	0 to 002	*
0 to 50	*	0 to 3.5	*
0 to 100	*	0 to 007	*
0 to 300	*	0 to 020	*
0 to 500	*	0 to 035	*

PERFORMANCE SPECIFICATIONS

Supply Current: 1.5mA

Ambient Temperature: 25°C (unless otherwise specified)

PARAMETERS	≤005PSI			≥015PSI			UNITS	NOTES
	MIN	TYP	MAX	MIN	TYP	MAX		
Span	50	100	150	75	100	150	mV	1
Zero Pressure Output	-2.0	0	2.0	-1.0	0	1.0	mV	2
Pressure Non Linearity	1psi: -0.30 to 0.30 5psi: -0.20 to 0.20			-0.10		0.10	%Span	3
Pressure Hysteresis	-0.10	±0.02	0.10	-0.05	±0.02	0.05	%Span	
Repeatability		±0.02			±0.02		%Span	
Accuracy RMS of NL, HY, RP		±0.6	±1.0		±0.6	±1.0	%Span	
Input Resistance	2000	3500	5800	2000	3500	5800	Ω	
Output Resistance	4000		30000	4000		25000	Ω	
Temperature Error – Span	-1.5		1.5	-1.0		1.0	%Span	4
Temperature Error – Offset	-2.5		2.5	-1.0		1.0	%Span	4
Thermal Hysteresis – Span	-0.25	±0.05	0.25	-0.25	±0.05	0.25	%Span	4
Thermal Hysteresis – Offset	-0.25	±0.05	0.25	-0.25	±0.05	0.25	%Span	4
Long Term Stability – Span		±0.10			±0.10		%Span/Year	
Long Term Stability – Offset		±0.25			±0.10		%Span/Year	
Line (Common Mode) Pressure			1000			1000	psi	
Line Pressure Effect on Zero		1psi: 4.0 Max 5psi: 0.8 Max				0.5	%Span/1Kpsi	
Supply Current	0.5	1.5	2.0	0.5	1.5	2.0	V	5
Output Load Resistance	5			5			MΩ	6
Insulation Resistance (50Vdc)	50			50			MΩ	7
Output Noise (10Hz to 1KHz)		1.0			1.0		uV p-p	
Response Time (10% to 90%)		0.1			0.1		ms	
Pressure Overload		1psi: 10X Max 5psi: 3X Max				3X	Rated	8
Pressure Burst		1psi: 12X Max 5psi: 4X Max				4X	Rated	8
Compensated Temperature		1psi: 0°C to 50°C 5psi: 0°C to 70°C		-20		+85	°C	
Operating Temperature		1psi: -40°C to +85°C 5psi: -40°C to +125°C		-40		+125	°C	9
Storage Temperature	-40		+125	-40		+125	°C	9
Voltage Breakdown	500V rms @ 50Hz, Leakage Current < 1mA							
Shock	50g, 1msec half sine shock per MIL-STD-202G, Method 213B, Condition A							
Vibration	±20g MIL-STD 810C, Procedure 514.2, Figure 514.2-2, Curve L							
Media – Pressure Port	Liquids and gases compatible with 316/316L Stainless Steel							

Notes

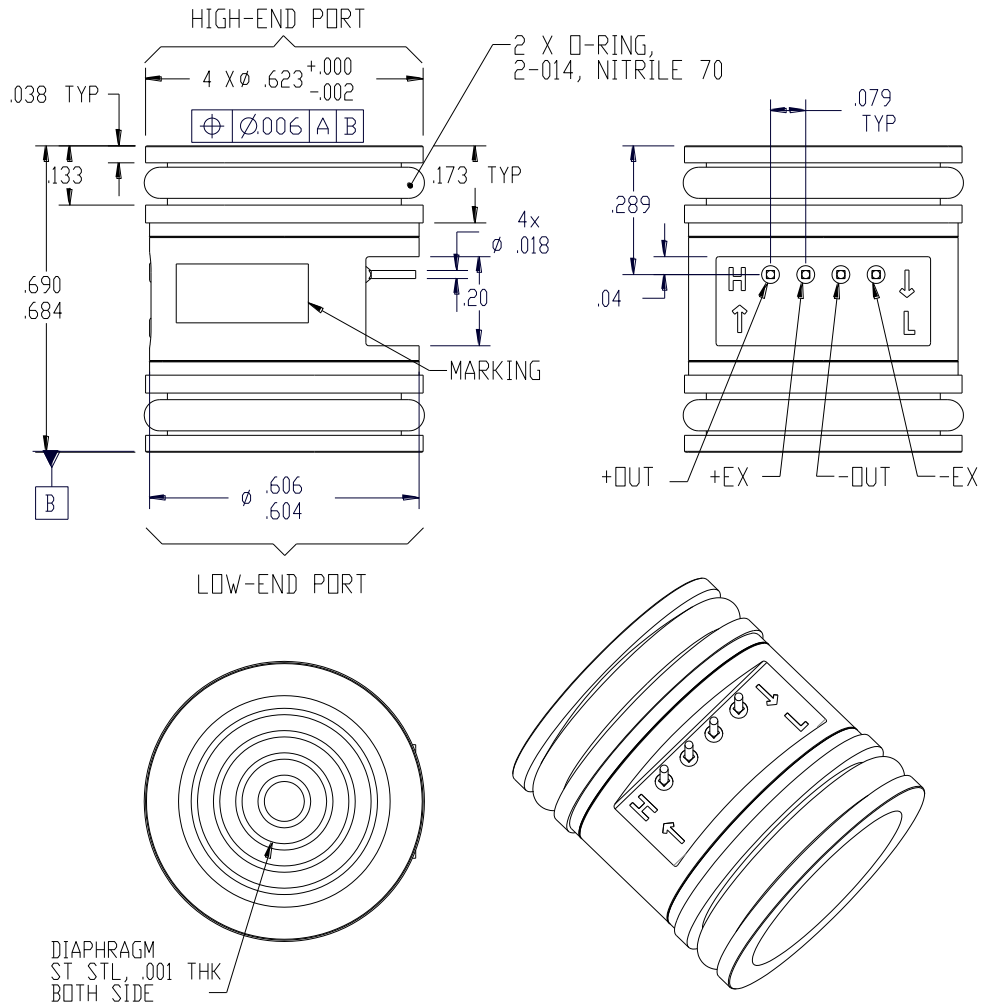
- For amplified output circuits, 3.012V ±1% interchangeability with gain set resistor. See application schematic.
- Measured at ambient.
- Best fit straight line
- Over the compensated temperature range with respect to 25°C.
- Guarantees output/input ratiometricity.
- Load resistance to reduce measurement errors due to output loading.
- Between case and sensing element.
- For “H” (high-end) port, rated or 1000psi whichever is less. For “L” (low-end) port rated or 150psi whichever is less. The maximum pressure that can be applied to a transducer without rupture of either the sensing element or transducer.
- Maximum temperature range for product with standard cable and connector is -20°C to +105°C.

DP86

Constant Current With Cable

DIMENSIONS

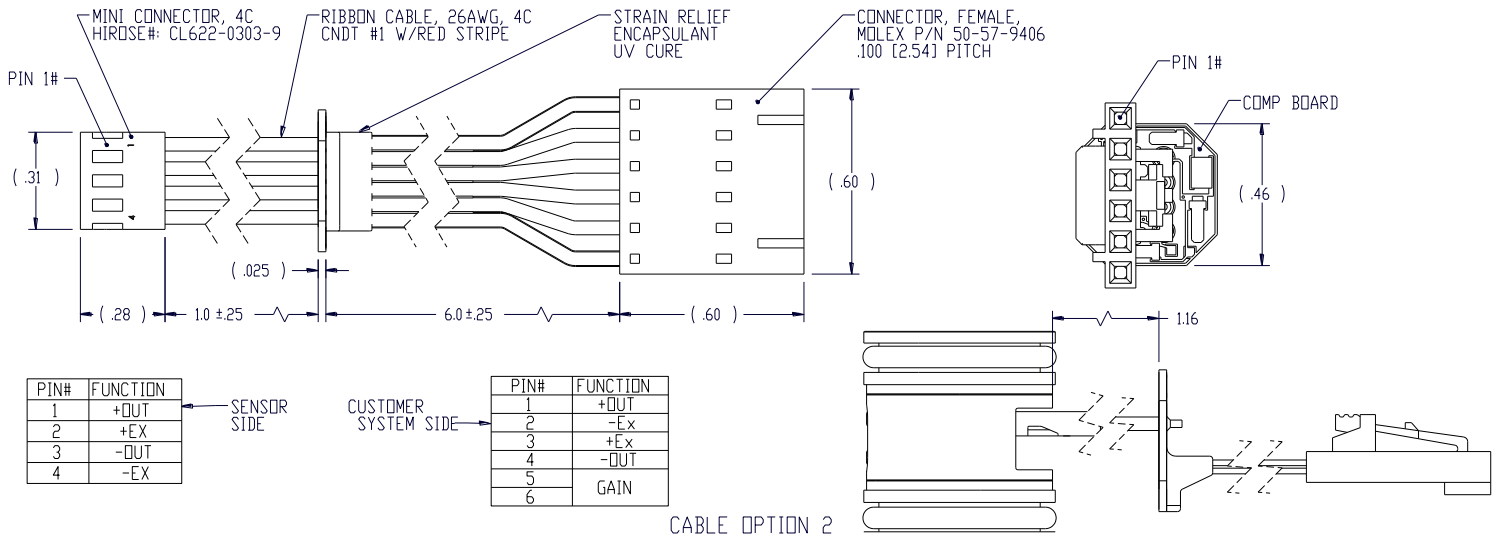
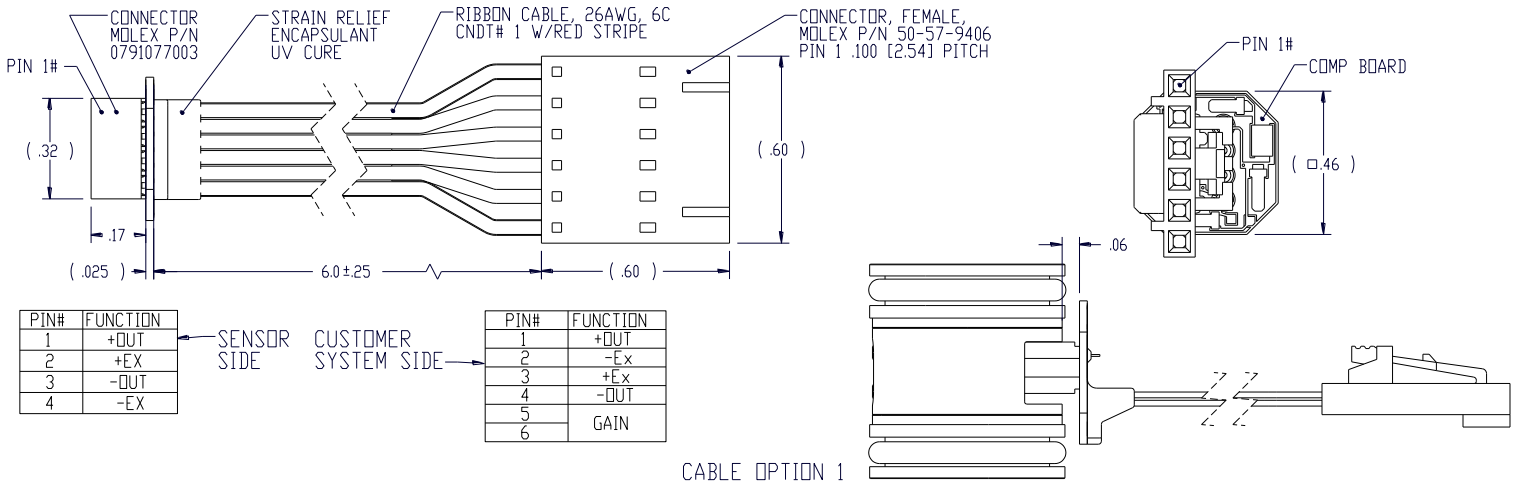
Dimensions are in inches [mm]



DP86

Constant Current With Cable

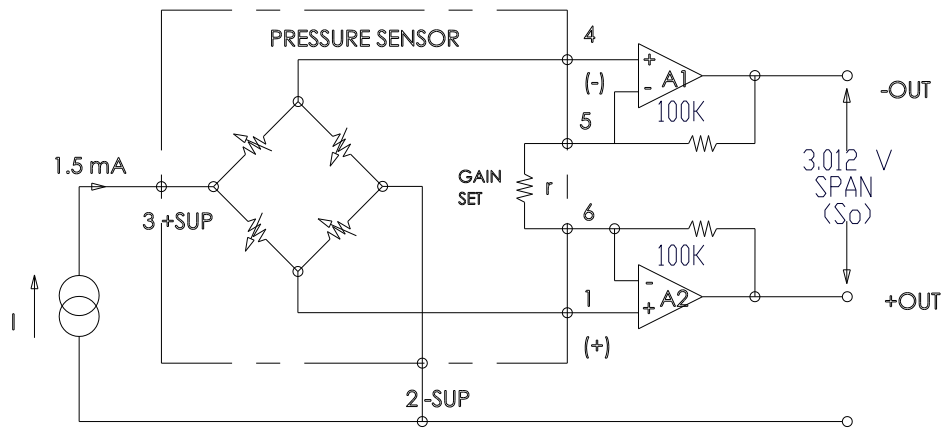
Dimensions are in inches [mm]



DP86

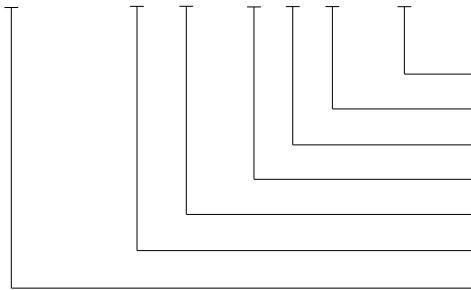
Constant Current With Cable

APPLICATION SCHEMATIC



ORDERING INFORMATION

DP86 - 015P - 0 C R - 1



Cable (1 = No Cable on Pin Side, 2 = 1" Cable on Pin Side)
Electrical (C = Ribbon Cable with Connector, R = Ribbon Cable)
Type (C = Constant Current, Compensated)
Fitting (Weldable, No Fitting)
Unit (P = psi, B = Bar)
Pressure Range
Model



株式会社 クローネ

■ カタログに掲載してある製品の色は印刷インキの関係上、実際とは異なる場合があります。
■ 製品のデザイン、仕様等などは、予告なく変更する場合があります。

本社：〒124-0023 東京都葛飾区東新小岩3丁目9番6号 TEL: (03) 3695-5431 / FAX: (03) 3695-5698
大阪支店：〒530-0054 大阪市北区南森町2-2-9(南森町八千代ビル7F) TEL: (06) 6361-4831 / FAX: (06) 6361-9360
e-mail: sales-tokyo@krone.co.jp URL: <https://www.krone.co.jp>

[TE.com/sensorsolutions](https://www.te.com/sensorsolutions)

Measurement Specialties, Inc., a TE Connectivity company.

Measurement Specialties, TE Connectivity, TE Connectivity (logo) and EVERY CONNECTION COUNTS are trademarks. All other logos, products and/or company names referred to herein might be trademarks of their respective owners.

The information given herein, including drawings, illustrations and schematics which are intended for illustration purposes only, is believed to be reliable. However, TE Connectivity makes no warranties as to its accuracy or completeness and disclaims any liability in connection with its use. TE Connectivity's obligations shall only be as set forth in TE Connectivity's Standard Terms and Conditions of Sale for this product and in no case will TE Connectivity be liable for any incidental, indirect or consequential damages arising out of the sale, resale, use or misuse of the product. Users of TE Connectivity products should make their own evaluation to determine the suitability of each such product for the specific application.

© 2015 TE Connectivity Ltd. family of companies All Rights Reserved.