

ELHS

Miniature Load Cell

SPECIFICATIONS

- ◆ Ranges from 1kN to 50kN (200 lbf to 10,000 lbf)
- ◆ Semi-conductor strain gages bridge
- ◆ Low deflection, low mass

The **ELHS** load cell is a compact package able to fit into many applications where others cannot.

The low noise Wheatstone bridge consists of piezoresistive strain gages which provide 200 mV of typical full scale output with a compact design, an extreme stiffness and superior resolution. The **ELHS** is provided with either SAE or metric threads for tension and compression applications.

Care should be exercised to isolate your **ELHS** from off-axis loads. The **ELHS** is a Poisson column design providing low full scale input deflection and superior resolution. Designed specifically to provide high resolution and low deflection.

The **ELHS** can be configured with a variety of options to fine tune the instrument to your application: select from several standard compensated temperature ranges, input voltages, lead lengths or specify entirely unique combinations of these options.

On request, Instruction documents can be provided to ease the selection and use of our sensors and provide helpful tips.

FEATURES

- ◆ Low mass compression style or tension compression with studs
- ◆ Sensitivity "FSO": 20mV/V
- ◆ High stiffness
- ◆ High reliability

APPLICATIONS

- ◆ Assembly forces
- ◆ Applications requiring ultra fast response
- ◆ Tool forces
- ◆ Thrust measurements
- ◆ Product validation testing

STANDARD RANGES

Ranges		Overrange	Body style		Sensitivity "FSO" ¹ (typical at 23±3°C)
N	lbf		Compression	Tension & Compression	
1K	200	1.5 x FS	ELHS-B1	ELHS-T1	20 mV/V
2.5K	500	1.5 x FS	ELHS-B1	ELHS-T1	20 mV/V
5K	1K	1.5 x FS	ELHS-B1	ELHS-T1	20 mV/V
10K	2K	1.5 x FS	ELHS-B4	ELHS-T4	20 mV/V
25K	5K	1.5 x FS	ELHS-B4	ELHS-T4	20 mV/V
50K	10K	1.5 x FS	ELHS-B6	ELHS-T6	20 mV/V

1. Sensors are calibrated with 15Vdc power supply as standard.
2. For B1, B4 and B6 version, signal goes positive in compression with standard wiring configuration
For T1, T4 and T6 version, signal goes positive in tension with standard wiring configuration

PERFORMANCE SPECIFICATIONS (typical values at temperature 23±3°C)

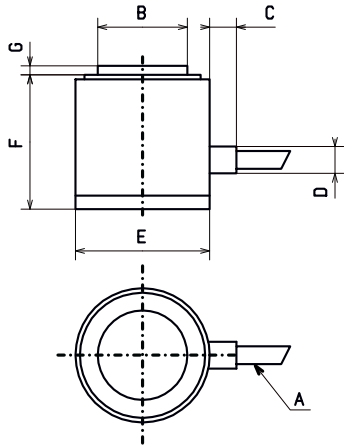
PARAMETERS	VALUES	NOTES
Supply voltage	1 to 15Vdc	
Input resistance	1500Ω nom.	
Output resistance	500Ω nom.	
Repeatability	±0.25% FS	
Combined non-linearity & hysteresis	±0.5%FS	
Thermal Zero Shift "TZS" in CTR	±0.02%FS /°C	
Thermal Sensitivity Shift "TSS" in CTR	±0.05% /°C	
Operating temperature Range (OTR)	-20°C to 80°C	
Compensated Temperature Range (CTR)	20°C to 80°C	See option table for other temperatures
Zero offset	±10mV	

Note:

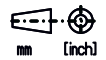
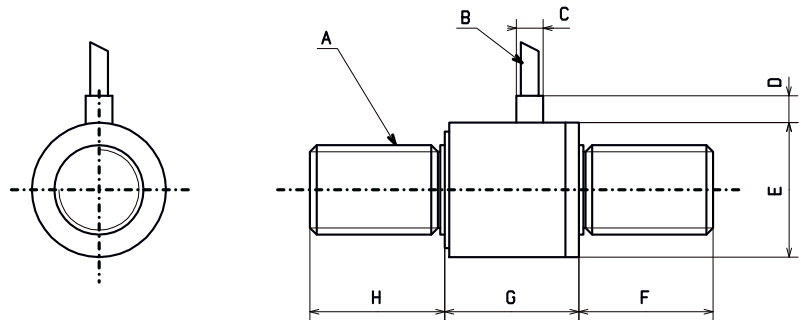
1. Electrical Termination: 3m shielded cable output as standard
2. Type B units have positive output in compression. Type T units have positive output in tension.
3. CE conformance according to EN 61010-1, EN 50081-1, EN 50082-1

DIMENSIONS

ELHS-B1, -B4 & -B6



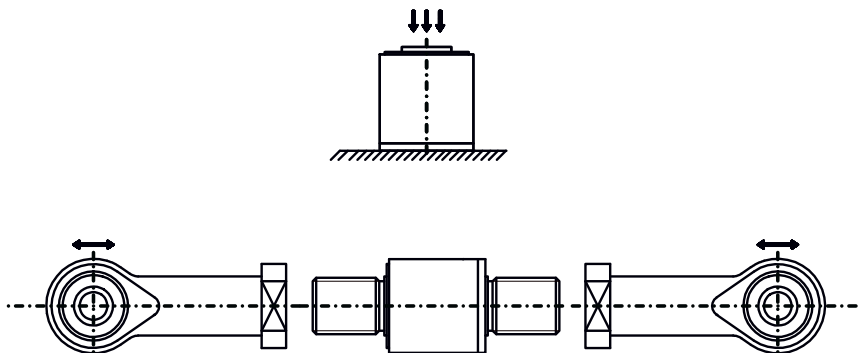
ELHS-T1, -T4 & T6



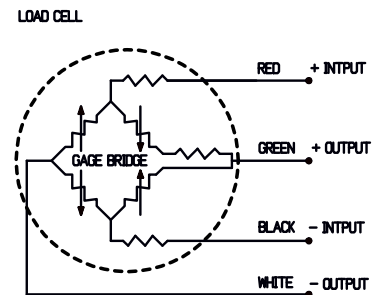
ITEM	ELHS-B1 1kN to 5kN 200 to 1,000Lb	ELHS-B4 10kN to 25kN 2kLb to 5kLb	ELHS-B6 50kN 10kLb
A	3m (10 ft)	3m (10 ft)	3m (10 ft)
B	∅ 10 (0.39")	∅ 20 (0.78")	∅ 28 (1.1")
C	3 (0.12")	3 (0.12")	6 (0.24")
D	∅ 3 (0.12")	∅ 3 (0.12")	∅ 5 (0.2")
E	∅ 15 (0.59")	∅ 25 (0.98")	∅ 35 (1.38")
F	15 (0.59")	25 (0.98")	35 (1.38")
G	1 (0.04")	1 (0.04")	1 (0.04")

ITEM	ELHS-T1 1kN to 5kN 200 to 1,000Lb	ELHS-T4 10kN to 25kN 2kLb to 5kLb	ELHS-T6 50kN 10kLb
A	-T1E : 3/8-24 UNF -T1M : M10x1.5	-T4E : 5/8-18 UNF -T4M : M16x2	-T6E : 3/4-16 UNF -T6M : M20x2.5
B	3m (10 ft)	3m (10 ft)	3m (10 ft)
C	∅ 3 (0.12")	∅ 3 (0.12")	∅ 5 (0.2")
D	3 (0.12")	3 (0.12")	6 (0.24")
E	∅ 15 (0.59")	∅ 25 (0.98")	∅ 35 (1.38")
F	15 (0.59")	25 (0.98")	30 (1.18")
G	15 (0.59")	25 (0.98")	30 (1.18")
H	15 (0.59")	25 (0.98")	30 (1.18")

INSTALLATION



CONNECTIONS



OPTIONS AND ACCESSORIES

OPTIONS	CODES	DESCRIPTIONS
Compensated temperature ranges	Z0	-40°C to 20°C
	Z1	-20°C to 40°C
	Z2	0°C to 60°C
	Z*	Non-standard, contact factory
Supply voltage	V00	Non-standard power supply calibration, replace "00" with value in Volt (standard 15Vdc)
Special cable length	L00F	Replace "00" with total length in feet with Lb range.
	L00M	Replace "00" with total length in meters with N range.
Connector wired to cable	C	Microtech type male or equivalent (w/o mate)
	RS	RJ telephone type male (w/o mate)

ORDERING INFORMATION

Model	-	Body	Thread Type	-	Range & Unit ⁽¹⁾		-	/Options
ELHS	-	B1/T1 B4/T4 B6/T6	M : Metric E : SAE	-	1KN 2.5KN 5KN 10KN 25KN 50KN	200L 500L 1KL 2KL 5KL 10KL	-	/Z0, Z1, Z2, or Z* /V1 thru V14 /L00F or L00M /C or RS

(1)Note : L=lbf ; N=Newton.
Metric threaded units must have range in Newton and cable length in meters specified.
SAE threaded units must have range in lbf and cable length in inches specified.
Options can be multiple if compatible (e.g. **ELHS-B1-5KN-Z1 /L3M/C**)



株式会社 **クローネ**

■カタログに掲載してある製品の色は印刷インキの関係上、実際とは異なる場合があります。
■製品のデザイン、仕様等などは、予告なく変更する場合があります。

本 社：〒124-0023 東京都葛飾区東新小岩3丁目9番6号 TEL:(03) 3695-5431 / FAX:(03) 3695-5698
大阪支店：〒530-0054 大阪市北区南森町2-2-9(南森町八千代ビル7F) TEL:(06) 6361-4831 / FAX:(06) 6361-9360
e-mail: sales-tokyo@krone.co.jp URL: https://www.krone.co.jp

TE.com/sensorsolutions

Measurement Specialties, Inc., a TE Connectivity company.

Measurement Specialties, TE Connectivity, TE Connectivity (logo) and EVERY CONNECTION COUNTS are trademarks. All other logos, products and/or company names referred to herein might be trademarks of their respective owners.

The information given herein, including drawings, illustrations and schematics which are intended for illustration purposes only, is believed to be reliable. However, TE Connectivity makes no warranties as to its accuracy or completeness and disclaims any liability in connection with its use. TE Connectivity's obligations shall only be as set forth in TE Connectivity's Standard Terms and Conditions of Sale for this product and in no case will TE Connectivity be liable for any incidental, indirect or consequential damages arising out of the sale, resale, use or misuse of the product. Users of TE Connectivity products should make their own evaluation to determine the suitability of each such product for the specific application.

© 2015 TE Connectivity Ltd. family of companies All Rights Reserved.