



FC23

Compression Load Cell

SPECIFICATIONS

- 50 – 2000 lbf Ranges
- High Level or mV
- Interchangeable
- Compact Load Button Design
- Industry Standard Packaging
- CE Compliance

The **FC23** is a high compression force sensor that creates new markets previously unrealizable due to cost and performance constraints. The FC23 offers normalized zero and span for interchangeability and is thermally compensated for changes in zero and span with respect to temperature.

The FC23 incorporates MEAS' proprietary Microfused™ technology which employs micromachined silicon piezoresistive strain gages fused with high temperature glass to a high performance stainless steel substrate. Microfused™ technology eliminates age-sensitive organic epoxies used in traditional load cell designs providing excellent long-term span and zero stability. The FC23 measures direct force and is therefore not subject to lead-die fatigue failure common with competitive designs which use a pressure capsule embedded within a silicone gel-filled cavity. Operating at very low strains, Microfused™ technology provides an essentially unlimited cycle life expectancy, superior resolution, and high over-range capabilities.

The FC23 brings your OEM product to life whether you need thousands or millions of load cells annually. Although the standard model is ideal for a wide range of applications, our dedicated design team at our Load Cell Engineering Center is ready to provide you with custom designs for your OEM applications.

Please refer to models FS20 and FC22 for lower force applications.

FEATURES

- Interchangeable
- Low Noise
- Robust: High Over-Range Capability
- High Reliability
- Low Deflection
- Low Off Center Errors
- Fast Response Time
- Long Cycle Life Expectancy

APPLICATIONS

- Batch Weighing
- Robotics End-Effectors
- Variable Force Control
- Load and Compression Sensing
- Assembly Line Force Measurement
- Pumps
- Hoist and Winch Loads
- Weighing

STANDARD RANGES

Range	lbf
0 to 0050	•
0 to 0100	•
0 to 0250	•
0 to 0500	•
0 to 1000	•
0 to 2000	•

PERFORMANCE SPECIFICATIONS

Unless otherwise specified: Supply Voltage: 5.0V, Ambient Temperature: 25°C

PARAMETERS	MIN	TYP	MAX	UNITS	NOTES
Span (mV)	95	100	105	mV	1
Span (Amplified)	3.8	4.0	4.2	V	1
Zero Force Output (mV)	-20	0	20	mV	1
Zero Force Output (Amplified)	0.3	0.5	0.7	V	1
Accuracy (non-linearity, hysteresis, and repeatability)	-1		1	%Span	2
Input Resistance (mV)		3.0		kΩ	
Output Resistance (mV)		2.2		kΩ	
Temperature Error – Span (Amplified & mV)	-2.5	±1	2.5	%Span	3
Temperature Error – Zero (Amplified & mV)	-2.5	±1	2.5	%Span	3
Supply Voltage (mV)	2	5	10	V	1
Supply Voltage (Amplified)	4.5	5	5.5	V	1
Response Time (10% to 90%)		1.0		ms	
Long Term Stability (1 year)		±1		%Span	
Maximum Overload			2.5X	Rated	
Compensated Temperature	0		50	°C	
Operating Temperature	-40		+85	°C	
Storage Temperature	-40		+85	°C	
Isolation Resistance (250Vdc)	50			MΩ	
Deflection at Rated Load			0.05	mm	
Humidity	0		90	%RH	

For custom configurations, consult factory.

Notes

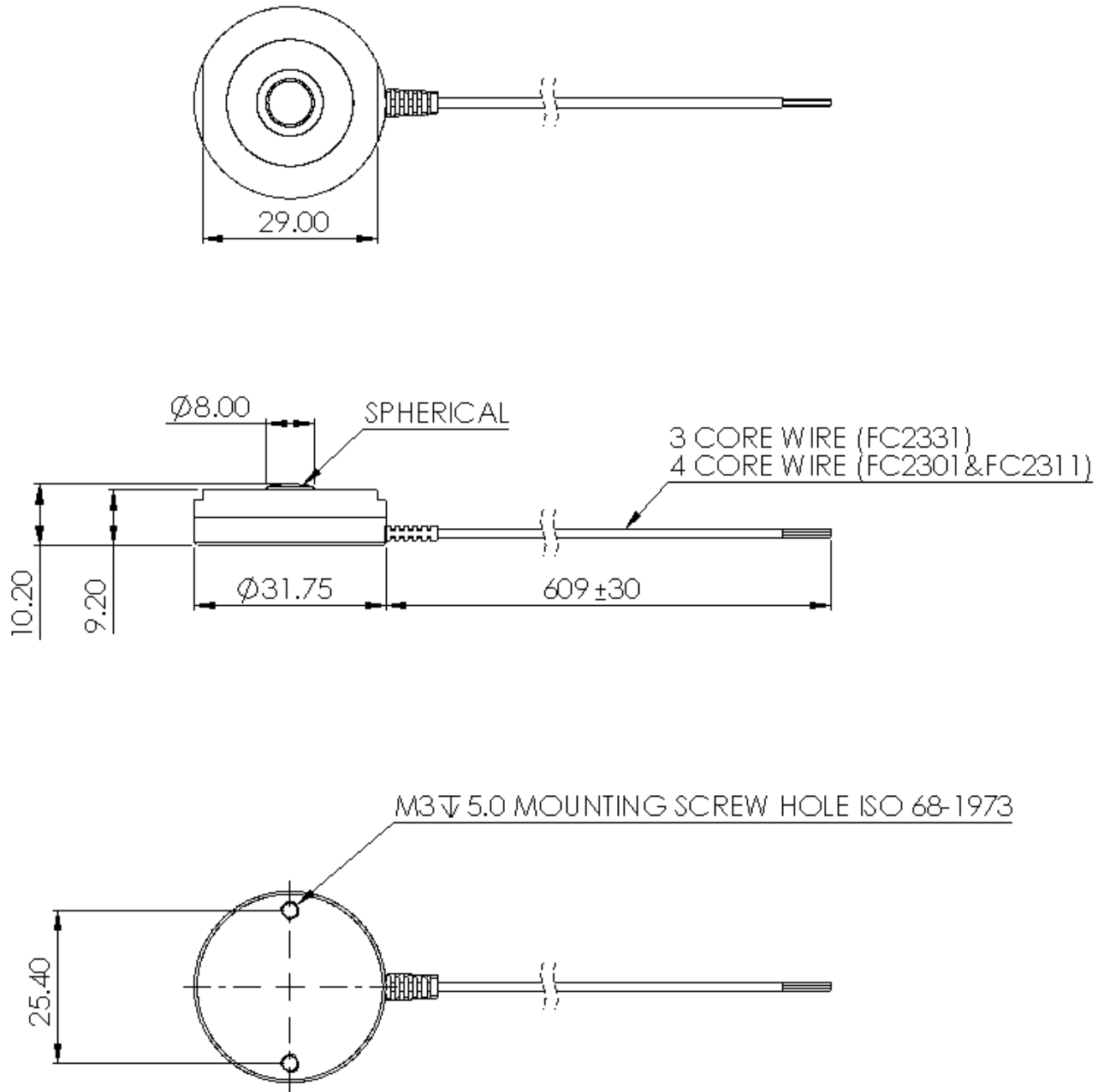
1. Ratiometric to supply.
2. Best fit straight line.
3. Maximum temperature error over compensated range with respect to 25°C.

CE Compliance

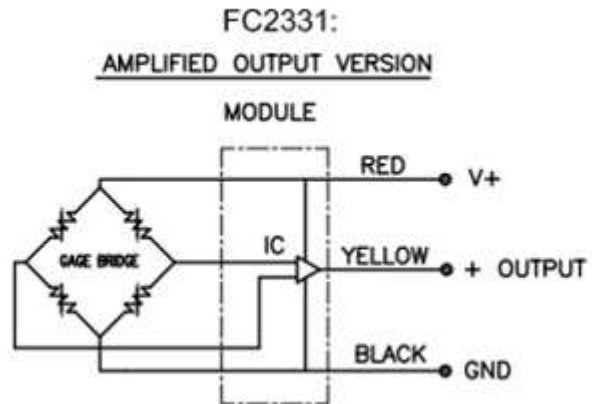
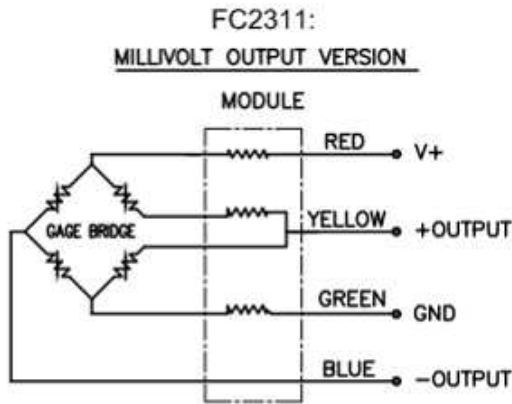
IEC61000-4-2: [4kV/ 4 kV (Air/Contact)]

IEC61000-4-3: (3 V/m)

DIMENSIONS

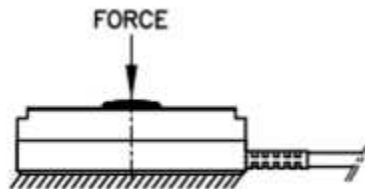


CONNECTIONS



WIRE NOTE:

P/N	WIRE CONNECTIONS
FC2311	4 CORE WIRE (AWG32 125°C, 300V)
	YELLOW: +OUTPUT
	BLUE: -OUTPUT
	RED: V+
	GREEN: GND
FC2331	3 CORE WIRE (AWG32 125°C, 300V)
	RED: V+
	YELLOW: +OUTPUT
	BLACK: GND



ORDERING INFORMATION

FC23 3 1 - 0000 - 0100 - N

Outputs	
1	20 mV/V
3	0.5 – 4.5 V

Connection	
1	2ft Cable

Type	
0000	Standard Production
SXXX	Special
XXXX	EWR Customize

Force Units	
L	Lbf
N	Newtons

Multiplier	
-	None
K	X1000

Force Range (L)	Force Range (N)
0050	0250
0100	0500
0250	1000
0500	2500
1000	5000
2000	0010 K (Multiplier)



株式会社 クローネ

■ カタログに掲載してある製品の色は印刷インキの関係上、実際とは異なる場合があります。
 ■ 製品のデザイン、仕様等などは、予告なく変更する場合があります。

本 社：〒124-0023 東京都葛飾区東新小岩3丁目9番6号 TEL: (03) 3695-5431 / FAX: (03) 3695-5698
 大阪支店：〒530-0054 大阪市北区南森町2-2-9(南森町八千代ビル7F) TEL: (06) 6361-4831 / FAX: (06) 6361-9360
 e-mail: sales-tokyo@krone.co.jp URL: https://www.krone.co.jp

TE.com/sensorsolutions

Measurement Specialties, Inc., a TE Connectivity company.

Measurement Specialties, TE Connectivity, TE Connectivity (logo) and EVERY CONNECTION COUNTS are trademarks. All other logos, products and/or company names referred to herein might be trademarks of their respective owners.

The information given herein, including drawings, illustrations and schematics which are intended for illustration purposes only, is believed to be reliable. However, TE Connectivity makes no warranties as to its accuracy or completeness and disclaims any liability in connection with its use. TE Connectivity's obligations shall only be as set forth in TE Connectivity's Standard Terms and Conditions of Sale for this product and in no case will TE Connectivity be liable for any incidental, indirect or consequential damages arising out of the sale, resale, use or misuse of the product. Users of TE Connectivity products should make their own evaluation to determine the suitability of each such product for the specific application.

© 2015 TE Connectivity Ltd. family of companies All Rights Reserved.