



## FN4070-FN4080 Seat Belt Buckle Sensor

### SPECIFICATIONS

- Operating ranges from 0-1kN to 0-40kN
- Crash-testing
- Compatible with most seat belts
- Detachable tongue and cable
- Easy and economical maintenance

Lower operating ranges with model **FN4080**

The **FN4070** load cell measures the effort generated on the anchor point of seat belts during crash tests. It has been specifically designed with a replaceable tongue. The load cell can be easily re-used by changing the tongue. It also has a cable output which can be renewed by the crash test technicians to allow for cost-effective, in-house maintenance of the device.

For other operating ranges (250-500-2500N) refer to model **FN4080**. Consult your MEAS' representative for technical specification.

With many years of experience as a designer and manufacturer of sensors, Measurement Specialties, Inc., often works with customers to design or customize sensors for specific uses and testing environments. To meet your needs we also offer complete turnkey systems. The matched components (sensor, power, amplifier and digital display) are formatted, calibrated and ready for immediate use.

### FEATURES

- Multiple tongues adjustable by customer
- Dynamic application
- Very robust for crash
- Easy cable replacement for customer

### APPLICATIONS

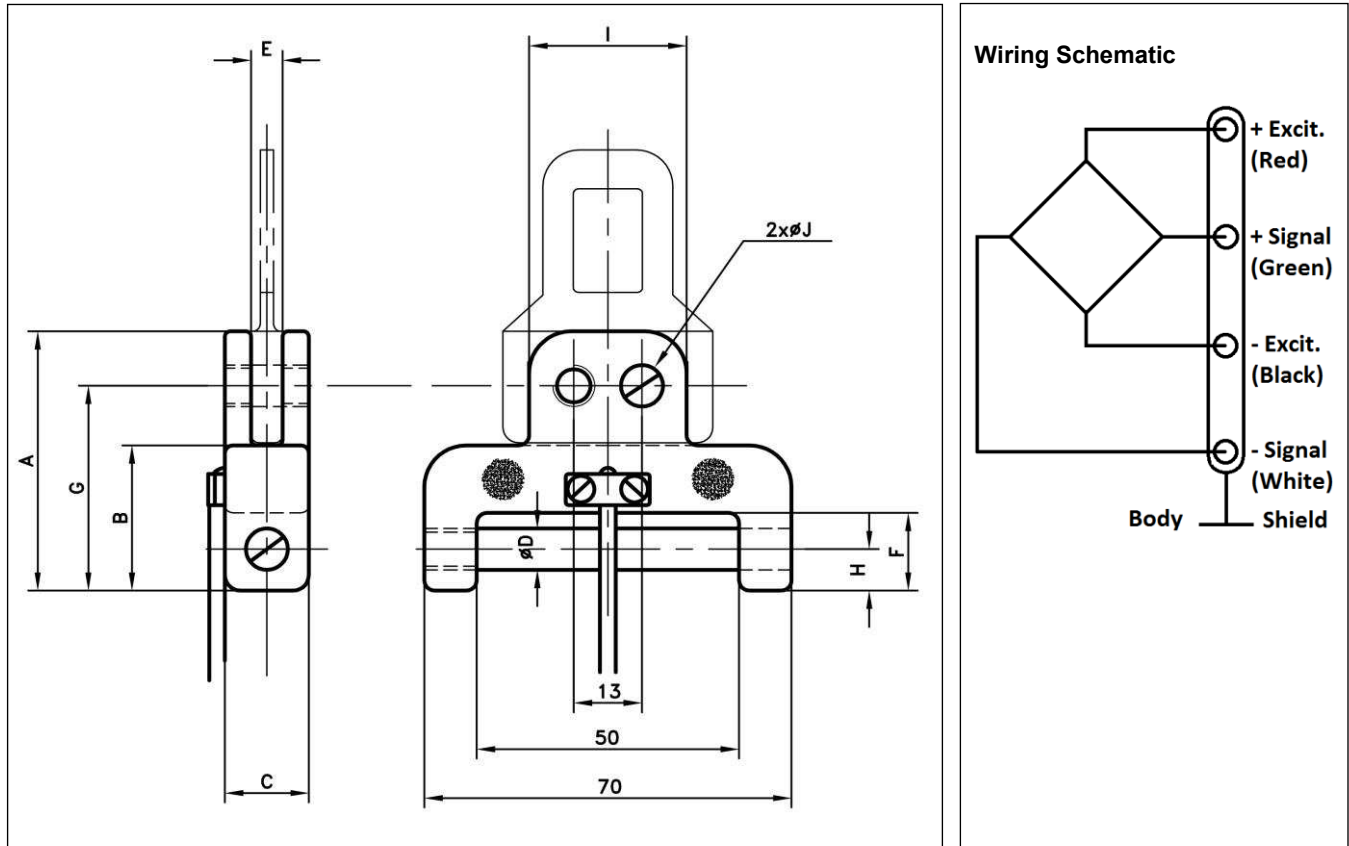
- Crash test on-board equipment
- Security absorbers
- Parachute belt and anchor testing

### STANDARD RANGES

<b>F.S. Ranges in N</b>	1k	5k	10k	25k	40k
<b>F.S. Ranges in Lbf</b>	200	1k	2k	5k	9k
<b>Materials</b>	Aluminum	Stainless Steel			



**DIMENSIONS & WIRING SCHEMATIC (IN METRIC AND IMPERIAL)**



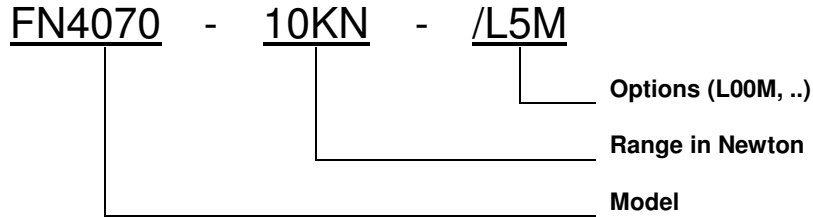
Dimensions in mm [inch]

Full Scale Range in N [in Lbf]	1k [200]	5k [1k]	10k [2k]	25k [5k]	40k [10k]
A	36 [1.42]	50 [1.97]	50 [1.97]	61 [2.40]	92 [3.62]
B	24 [0.94]	28 [1.10]	28 [1.10]	37 [1.46]	55 [2.17]
C	12 [0.47]	15 [0.59]	15 [0.59]	19 [0.75]	29 [1.14]
D	6.2 [0.24]	8.2 [0.32]	8.2 [0.32]	12.2 [0.48]	18.5 [0.73]
E	3 [0.12]	6 [0.24]	6 [0.24]	8 [0.31]	12 [0.47]
F	13 [0.51]	15 [0.59]	15 [0.59]	24 [0.94]	37 [1.46]
G	30.5 [1.20]	39.5 [1.56]	39.5 [1.56]	50.5 [1.99]	75.5 [2.97]
H	7 [0.28]	8 [0.31]	8.2 [0.31]	12 [0.47]	18.5 [0.73]
I	24 [0.94]	30 [1.18]	30 [1.18]	30 [1.18]	40 [1.57]
J	5.2 [0.20]	8.2 [0.32]	8.2 [0.32]	8.2 [0.32]	12.2 [0.48]

## OPTIONS

**L00M:** Additional cable length option, replace "00" with total length in meters

## ORDERING INFORMATION



株式会社 **クローネ**

■カタログに掲載してある製品の色は印刷インキの関係上、実際とは異なる場合があります。  
■製品のデザイン、仕様等などは、予告なく変更する場合があります。

本 社：〒124-0023 東京都葛飾区東新小岩3丁目9番6号 TEL:(03) 3695-5431 / FAX:(03) 3695-5698  
大阪支店：〒530-0054 大阪市北区南森町2-2-9(南森町八千代ビル7F) TEL:(06) 6361-4831 / FAX:(06) 6361-9360  
e-mail: sales-tokyo@krone.co.jp URL: <https://www.krone.co.jp>

### TE.com/sensorsolutions

Measurement Specialties, Inc., a TE Connectivity company.

Measurement Specialties, TE Connectivity, TE Connectivity (logo) and EVERY CONNECTION COUNTS are trademarks. All other logos, products and/or company names referred to herein might be trademarks of their respective owners.

The information given herein, including drawings, illustrations and schematics which are intended for illustration purposes only, is believed to be reliable. However, TE Connectivity makes no warranties as to its accuracy or completeness and disclaims any liability in connection with its use. TE Connectivity's obligations shall only be as set forth in TE Connectivity's Standard Terms and Conditions of Sale for this product and in no case will TE Connectivity be liable for any incidental, indirect or consequential damages arising out of the sale, resale, use or misuse of the product. Users of TE Connectivity products should make their own evaluation to determine the suitability of each such product for the specific application.

© 2015 TE Connectivity Ltd. family of companies All Rights Reserved.